

STACK LAUNDRY

Repair Parts List

MODEL NUMBER
LSE7806ADM

When requesting service or ordering parts, always provide the following information:

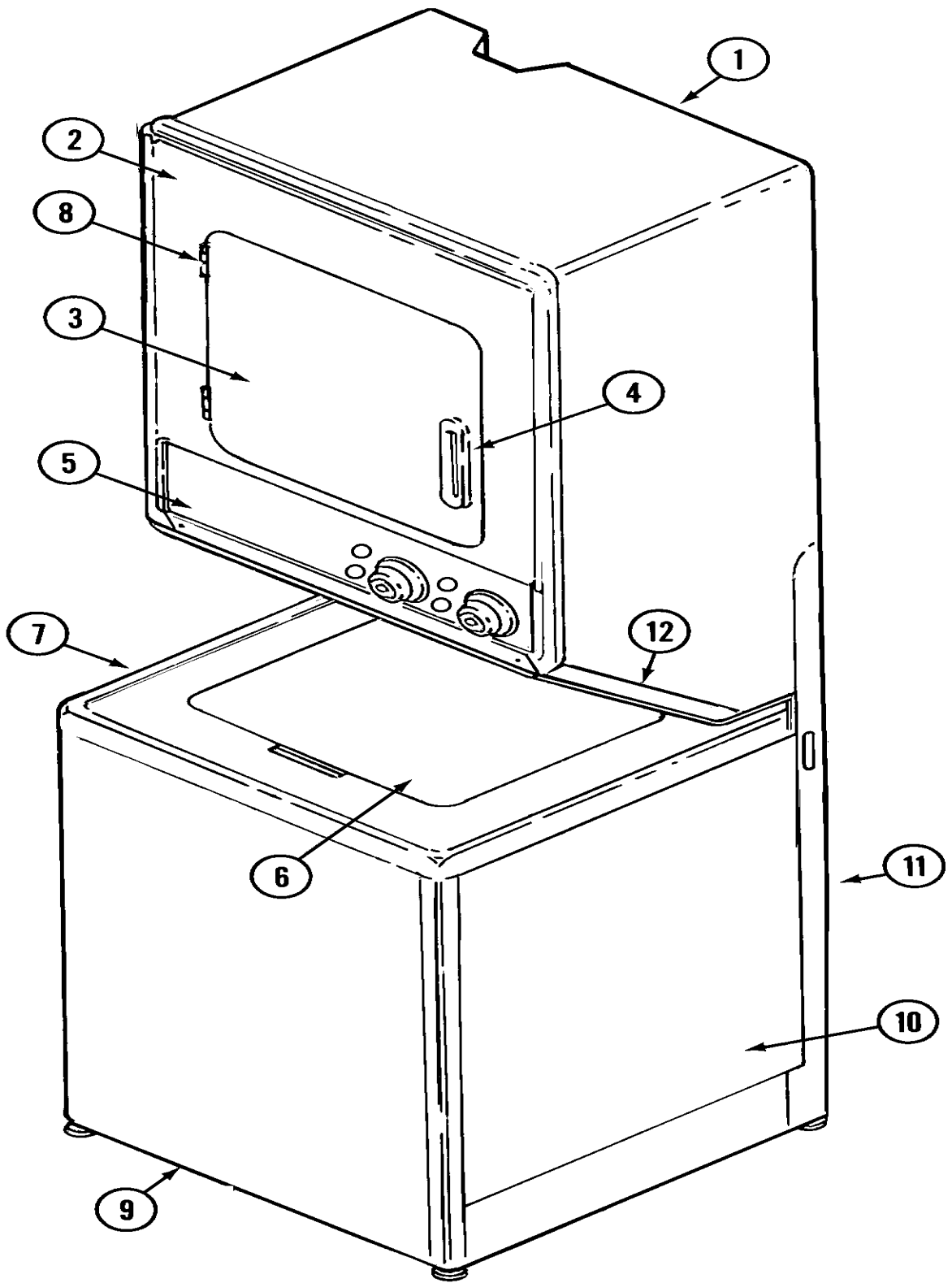
- Product Type
- Part Number
- Model Number
- Part Description

MAYTAG®

©2005 Maytag Services

Section: FRONT

Model: LSE7806ADM



LS12-12

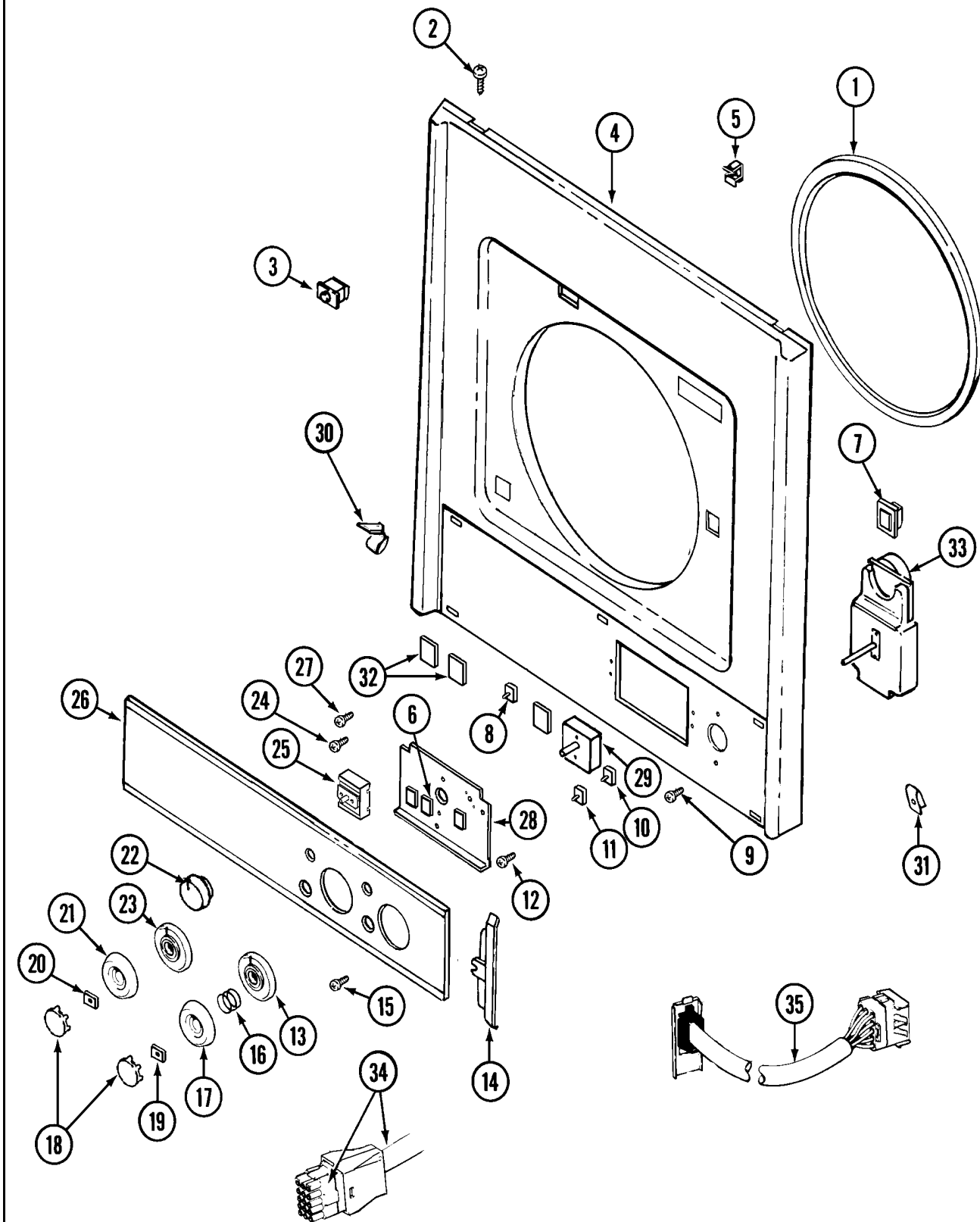
Section: FRONT

No.	Part No.	Description	Series	Qty
1	N 308055L	CABINET (ALM)	10	1
-	33001486	PANEL, FASTENER	10	4
2	33001190	PANEL, FRONT (ALM)	10	1
3	314475L	PANEL, OUTER DOOR (ALM)	10	1
4	33001476	HANDLE, DOOR (ALM)	10	1
5	22001937	PANEL, CONTROL (ALM)	10	1
6	N 22001369	LID W/LEGEND (CANADA-ALM)---NA	10	1
7	22001063	COVER, TOP (ALM)----NA	10	1
8	33001230	HINGE, DOOR	10	2
9	207205L	PANEL, FRONT (ALM)----NA	10	1
10	N 22001067	CABINET (ALM)	10	1
10	N 22002134	CABINET (ALM)	11	1
11	306110L	STAND, DRYER (COMPLETE) (ALM)	10	1
12	33001051	PANEL, ACCESS (ALM)	10	1
-	22001928	MANUAL, USE & CARE	10	1
-	63406320	MANUAL, USE & CARE (ARABIC)	10	1
13	2205820	GUIDE, USE & CARE	11	1
13	2206689	MANUAL, USE & CARE DEP CARE	25	1
-	22001933	MANUAL, USE & CARE (FRENCH) Note: (FRENCH)	10	1
-	N 16000327	GUIDE, QUICK REF. - MAYTAG	10	1
-	22003340	GUIDE, ENERGY	10	1

*Color Code (-)=Not Shown #=Series, Serial Prefix or Run No., N=Not Available

Section: FRONT PANEL & CONTROL PANEL

Model: LSE7806ADM



LS11-3

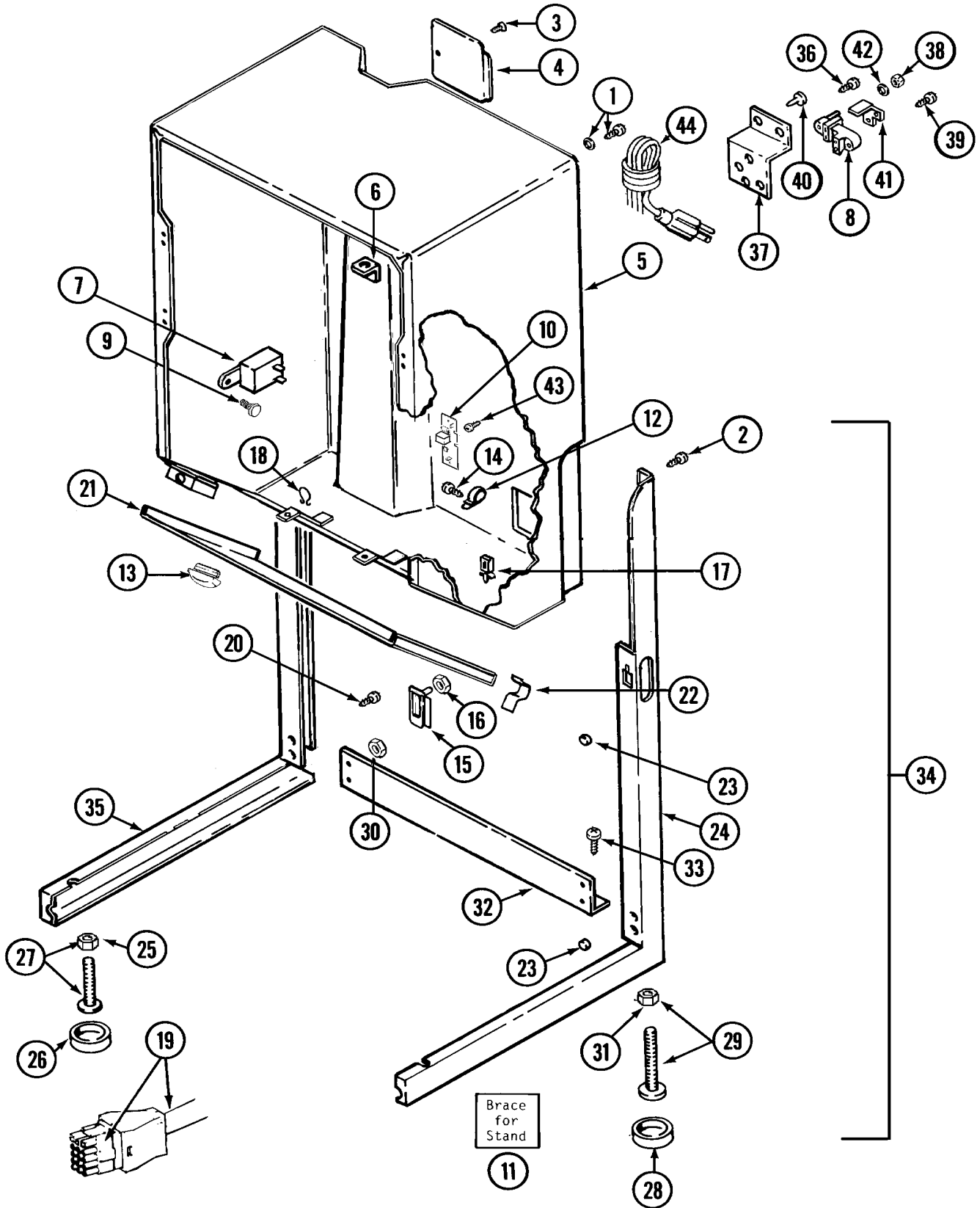
Section: FRONT PANEL & CONTROL PANEL

No.	Part No.	Description	Series	Qty
1	314286	SEAL FOR FRONT PANEL Note: SEAL, FRONT PANEL	10	1
2	212277	SCREW, #8 X 1/2 INCH Note: SCREW, FRONT PANEL	10	2
3	33001509	SWITCH, DOOR	10	1
4	33001190	PANEL, FRONT (ALM)	10	1
-	33001486	PANEL, FASTENER	10	4
5	310376	CLIP, WIRE HARNESS	10	1
6	315287	BUMPER SMALL Note: BUMPER (SMALL)	10	2
7	304578	CATCH, DOOR (FEMALE)	10	1
8	308017	SWITCH, DRYER TEMPERATURE	10	1
9	216042	SCREW Note: SCREW, WASHER TIMER	10	2
10	22001923	SWITCH, WATER TEMPERATURE	10	1
11	22001188	SWITCH, ROTARY Note: SWITCH, WATER LEVEL	10	1
12	211294	SCREW Note: SCREW, SUPPORT PLATE	10	2
13 N	22001935	DIAL, WASHER TIMER (ALM)	10	1
13	22001925	DIAL, WASHER TIMER (WHT)	10	1
14	33001479	CAP, END (ALM)	10	2
15	211000	SCREW,HEX HEAD (BRAKE DRUM) Note: SCREW, END CAP	10	2
16	211065	SPRING, TIMER KNOB	10	1
17	22001199	KNOB ASSY. (ALM)	10	1
18 N	22001447	CAP, KNOB (ALM)	10	2
19	211605	RETAINER, TIMER KNOB	10	1
20	312273	NUT	10	1
21	33001282	KNOB ASSY. (ALM)	10	1
22	33001480	KNOB, SELECTOR SWITCH (ALM)	10	3
23 N	22001936	DIAL, DRYER TIMER (ALM)	10	1
24	315317	SCREW, SWITCHES Note: SCREW, DRYER TIMER	10	2
25	33001482	SWITCH, PUSH TO START(ALM)--NA	10	1
26	22001937	PANEL, CONTROL (ALM)	10	1
27	215952	SCREW Note: SCREW, SWITCHES	10	6
28	315237	BRACKET FOR SWITCHES & TIMER	10	1
29	33001034	TIMER, DRYER	10	1
30	314482	FASTENER, SPRING Note: FASTENER, SPRING	10	2
31	33001292	FASTENER, SPEEDNUT	10	2
32	315286	BUMPER LARGE Note: BUMPER (LARGE)	10	3
-	22002228	BAG, TIMER	10	1
-	22001932	RETAINER, WIRE	10	1
33	22001924	TIMER, WASHER	10	1
-	22001931	SPACER, TIMER	10	1
34 N	22001426	WIRE HARNESS (UPR. CANADA)	10	1
34	33001553	HARNESS, WIRE (DRYER)	10	1
35	22004234	WIRE HARNESS	17	1
35	22001584	HARNESS, WIRE (WASHER)	10	1

*Color Code (-)=Not Shown #=Series, Serial Prefix or Run No., N=Not Available

Section: CABINET-DRYER

Model: LSE7806ADM



LS12-13

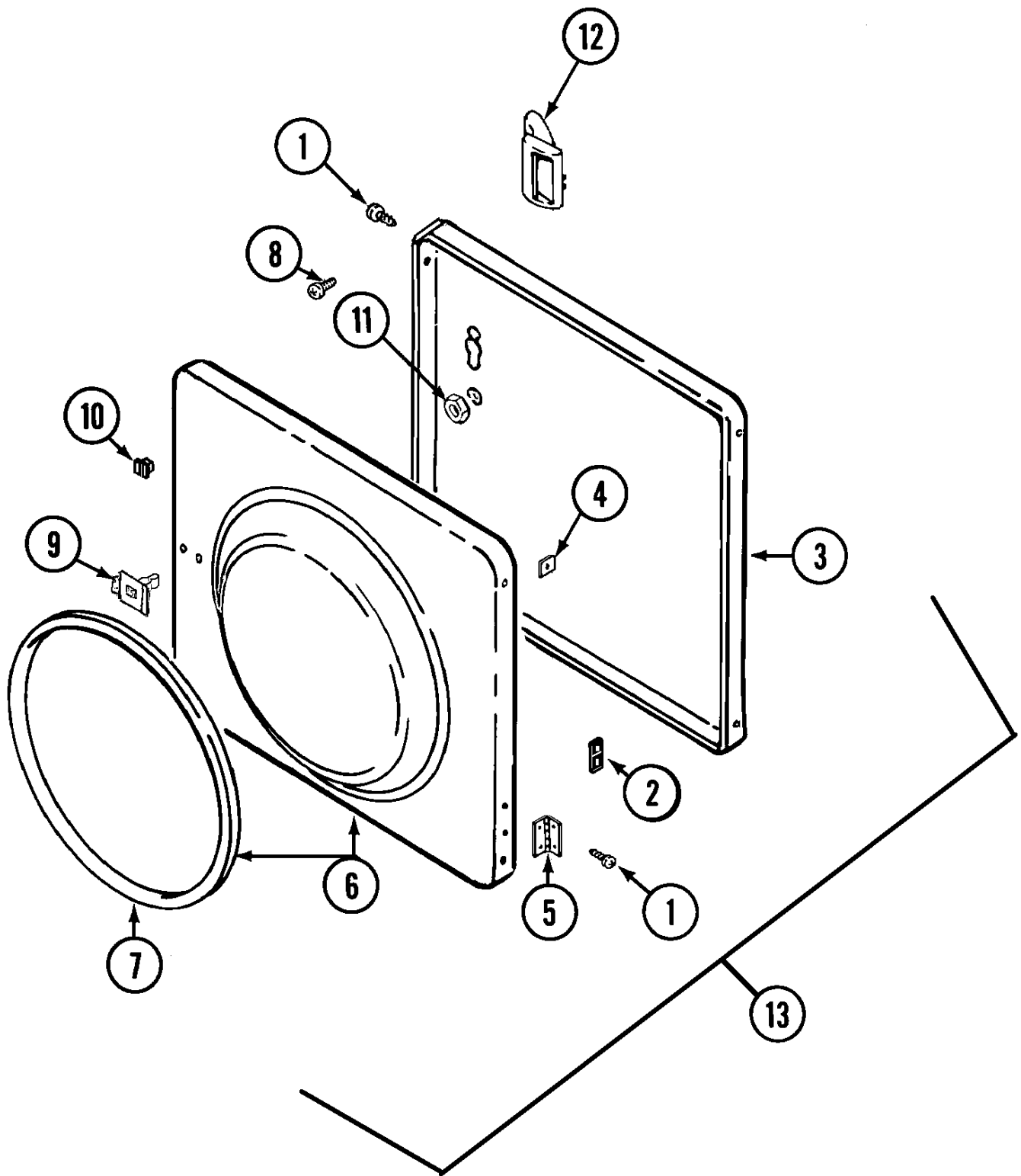
Section: CABINET-DRYER

No.	Part No.	Description	Series	Qty
1	303846	SCREW & WASHER ASSY. Note: GROUNDING SCREW & WASHER ASSY.	10	1
2	314663	SCREW Note: SCREW, DRYER UNIT	10	4
3	N 313561	SCREW----NA Note: SCREW, TERMINAL COVER	10	1
4	314470	COVER, TERMINAL	10	1
5	N 308055L	CABINET (ALM) Note: (ALM)	10	1
6	312548	FASTENER-ACCESS PANEL TO CA Note: FASTENER, FRONT PANEL	10	2
7	308205	BUZZER	10	1
8	400008	BLOCK, TERMINAL	10	1
9	211168	SCREW, #8 X 5/16 INCH Note: SCREW, BUZZER	10	1
10	33001212	BOARD, CONTROL-MOISTURE SENSOR Note: BOARD, PC CONTROL	10	1
11	N 306128	BRACE FOR STAND-ACCESSORY Note: BRACE, STAND (ACCESSORY)	10	1
12	22001929	CLAMP, CABLE	10	1
13	22001195	BUMPER (ALM) Note: (ALM)	10	1
14	310632	SCREW Note: SCREW, CABLE CLAMP	10	1
15	314489	GUIDE, PIN Note: GUIDE, PIN	10	1
16	214872	PALNUT, END CAP Note: NUT, PIN GUIDE	10	1
17	N 313262	RETAINER, WIRE HARNESS Note: RETAINER, WIRE	10	1
18	315471	RETAINER, WIRE Note: RETAINER, WIRE	10	1
-	22001930	WIRE HARNESS (UPPER)	10	1
19	33001553	HARNESS, WIRE (DRYER) Note: WIRE HARNESS, DRYER	10	1
20	314477	SCREW, ACCESS PANEL Note: SCREW, ACCESS PANEL	10	2
21	33001051	PANEL, ACCESS (ALM) Note: (ALM)	10	1
-	33001130	SHIELD, REFLECTIVE	10	1
22	314482	FASTENER, SPRING Note: FASTENER, SPRING	10	2
23	314498	PAD, DRYER LEG	10	3
24	33001294	LEG ASSY. (RT-ALM)----NA Note: (RT-ALM)	10	1
25	052740	NUT Note: NUT, FRONT LEG	10	2
26	314137	FOOT, RUBBER	10	2
27	305086	ADJUSTABLE LEG & NUT Note: ADJUSTABLE LEG & NUT (FRT)	10	2
28	210684	FOOT, RUBBER Note: FOOT, RUBBER	10	6
29	302699	LEG, ADJUSTABLE (W/NUT) Note: ADJUSTABLE LEG & NUT (REAR)	10	6
30	052721	NUT Note: NUT, LEG BRACE	10	4
31	210385	NUT, LOCK Note: NUT, REAR LEG	10	6
32	N 314499	BRACE Note: BRACE, LEG	10	1
33	214354	SCREW Note: SCREW, BRACE	10	2
34	306110L	STAND,DRYER(COMPLETE)(ALM) Note: (COMPLETE-ALM)	10	1
35	33001296	LEG ASSY. (LT-ALM)----NA Note: (LT-ALM)	10	1
36	312209	SCREW, #10-24 X 3/4 INCH Note: SCREW, TERMINAL BLOCK	10	2
37	312904	BRACKET, TERMINAL BLOCK	10	1
38	311484	NUT, TERMINAL BLOCK Note: NUT, TERMINAL BLOCK	10	3
39	N 33001245	SCREW----NA Note: SCREW, GROUNDING STRAP	10	1
40	310632	SCREW Note: SCREW, TERMINAL BRACKET	10	1
42	311270	WASHER, TERMINAL BLOCK	10	3
43	251119	SCREW Note: SCREW, CONTROL ASSEMBLY	10	2
44	305168	CORD, POWER (CANADA) Note: CORD, POWER	10	1
-	33001425	LOCKNUT, EARED FOR CANADIAN	10	1

*Color Code (-)=Not Shown #=Series, Serial Prefix or Run No., N=Not Available

Section: DOOR

Model: LSE7806ADM



LS12-28

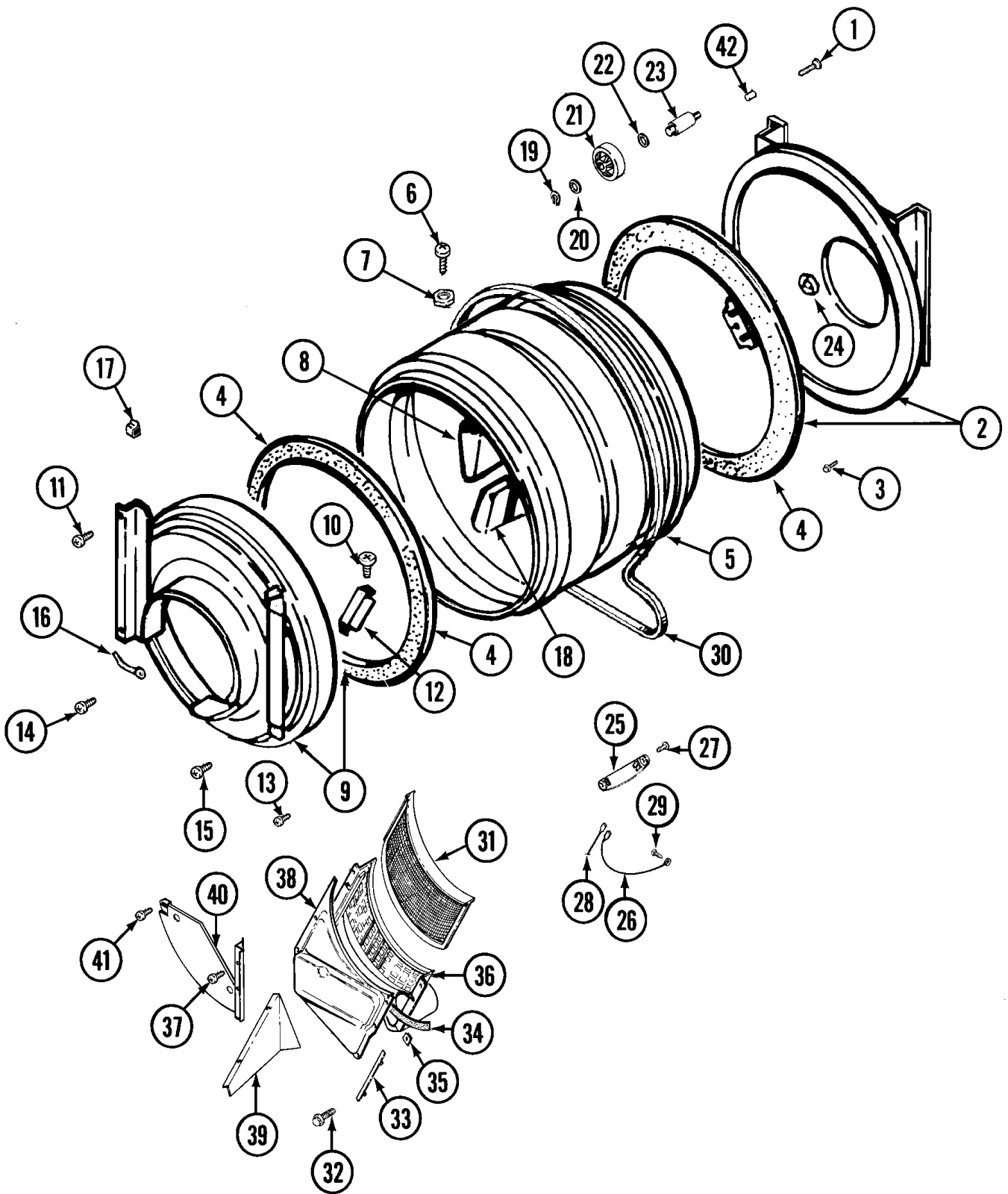
Section: DOOR

No.	Part No.	Description	Series	Qty
1	314062	SCREW Note: SCREW, DOOR & HINGE	10	6
2	313907	TWIN FASTENER Note: SPEEDNUT, TWIN (LWR HINGE)	10	1
-	33001221	PAD, SOUND DAMPER Note: PAD, SOUND DAMPER	10	1
2	33001222	SPEEDNUT, TWIN Note: (UPR HINGE)	10	1
3	314475L	PANEL, OUTER DOOR (ALM) Note: (ALM)	10	1
4	313910	CLIP, DOOR LINER TO OUTER PNL Note: FASTENER, INNER DOOR	10	6
5	33001230	HINGE, DOOR	10	2
6	33001002	DOOR, INNER (W/GASKET) Note: DOOR, INNER (W/SEAL)	10	1
7	33001005	SEAL, DOOR	10	1
8	312960	SCREW - INLET DUCT Note: SCREW, DOOR HANDLE	10	1
9	304578	CATCH, DOOR (FEMALE) Note: STRIKE, DOOR	10	1
10	313911	DOOR STRIKE RETAINER Note: RETAINER, DOOR STRIKE	10	1
11	214872	PALNUT, END CAP Note: NUT, DOOR HANDLE	10	1
12	33001476	HANDLE, DOOR (ALM) Note: (ALM)	10	1
13 N	33001110	DOOR, COMPLETE (ALM) Note: DOOR (COMPLETE-ALM)	10	1

*Color Code (-)=Not Shown #=Series, Serial Prefix or Run No., N=Not Available

Section: TUMBLER

Model: LSE7806ADM



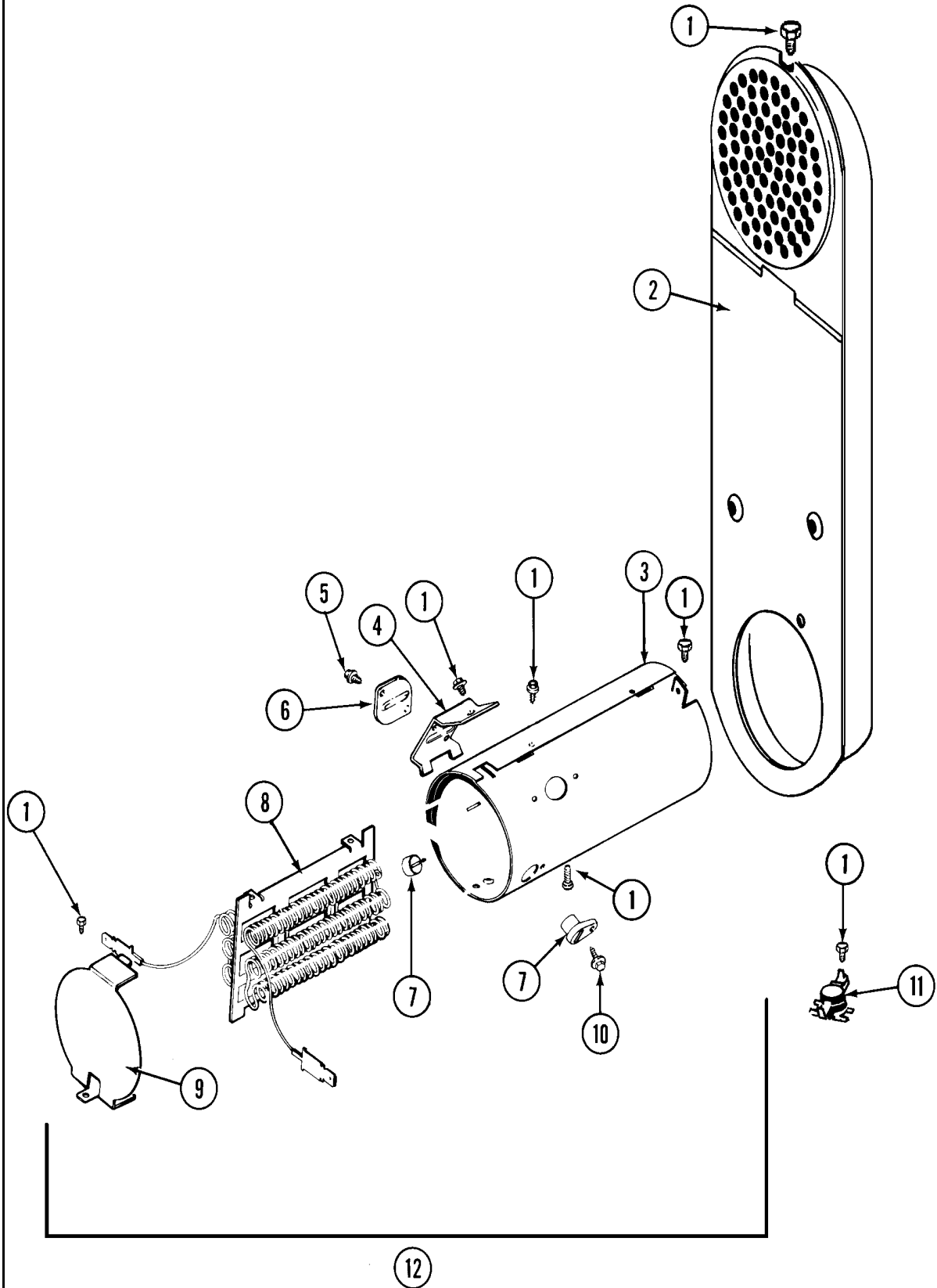
Section: TUMBLER

No.	Part No.	Description	Series	Qty
1	310632	SCREW Note: SCREW, TUMBLER BACK	10	3
2	33001106	BACK, TUMBLER (W/SEAL)	10	1
3	211294	SCREW Note: SCREW, INLET DUCT	10	3
4	314820	SEAL, TUMBLER	10	2
5	33001177	TUMBLER	10	1
6	310759	SCREW	10	6
7	314158	WASHER	10	6
8	33001014	BAFFLE (TALL)	10	2
-	33001107	FRONT, TUMBLER	10	1
10	210720	RIVET Note: RIVET, BEARING	10	4
11	N 313561	SCREW----NA Note: SCREW, TUMBLER FRONT & BACK	10	2
12	306508	TUMBLER BEARING KIT	10	2
13	314110	SCREW, INLET DUCT Note: SCREW, OUTLET DUCT	10	4
14	910343	SCREW, GROUND WIRE	10	1
15	310632	SCREW Note: SCREW, TUMBLER FRONT	10	3
16	901220	WIRE, GROUND	10	1
17	310376	CLIP, WIRE HARNESS	10	1
18	33001013	BAFFLE (SHORT) Note: BAFFLE (SHORT)	10	1
19	410233	RING, RETAINING Note: RING, RETAINING	10	2
20	312535	WASHER, ROLLER SHAFT Note: WASHER, ROLLER SHAFT	10	2
21	303373	BEARING & ROLLER ASSEMBLY Note: ROLLER (W/BEARING)	10	2
22	313347	WASHER, SPRING (ROLLER SHAFT) Note: WASHER, SPRING	10	2
23	312948	SHAFT, TUMBLER ROLLER Note: SHAFT, TUMBLER ROLLER	10	2
24	312538	NUT, ROLLER SHAFT Note: NUT, ROLLER SHAFT	10	2
25	303389	SENSOR ASSEMBLY (W/SCREWS) Note: SENSOR ASSEMBLY (W/SCREWS)	10	1
26	303711	SENSOR GROUND WIRE Note: GROUND WIRE, SENSOR	10	1
27	251119	SCREW Note: SCREW, SENSOR ASSEMBLY	10	2
28	312658	RECEPTACLE, SENSOR GROUND WIRE Note: RECEPTACLE, GROUND WIRE	10	1
30	314774	BELT, DRUM	10	1
31	33001003	SCREEN, LINT	10	1
32	312961	SCREW Note: SCREW, GUIDE	10	2
33	313795	GUIDE FOR LINT SCREEN Note: GUIDE, LINT SCREEN	10	2
34	313796	LINT SEAL Note: SEAL, LINT	10	1
35	315274	FASTENER ON OUTLET DUCT Note: FASTENER	10	3
36	33001006	DUCT, OUTLET & GRID Note: OUTLET DUCT & GRID	10	1
37	312961	SCREW Note: SCREW, DUCT SHIELDS & COVER	10	8
38	314485	OUTLET DUCT AND GRID Note: COVER, OUTLET DUCT & GRID	10	1
39	315239	SHIELD FOR OUTLET DUCT Note: SHIELD, OUTLET DUCT (SMALL)	10	1
40	315238	SHIELD Note: SHIELD, OUTLET DUCT (LARGE)	10	1
41	310207	SCREW, #6 X 1/4 INCH Note: SCREW, SHIELD	10	1
42	N 313915	COVER, THREAD Note: COVER, THREAD	10	4

*Color Code (-)=Not Shown #=Series, Serial Prefix or Run No., N=Not Available

Section: HEATER

Model: LSE7806ADM



LD15-4

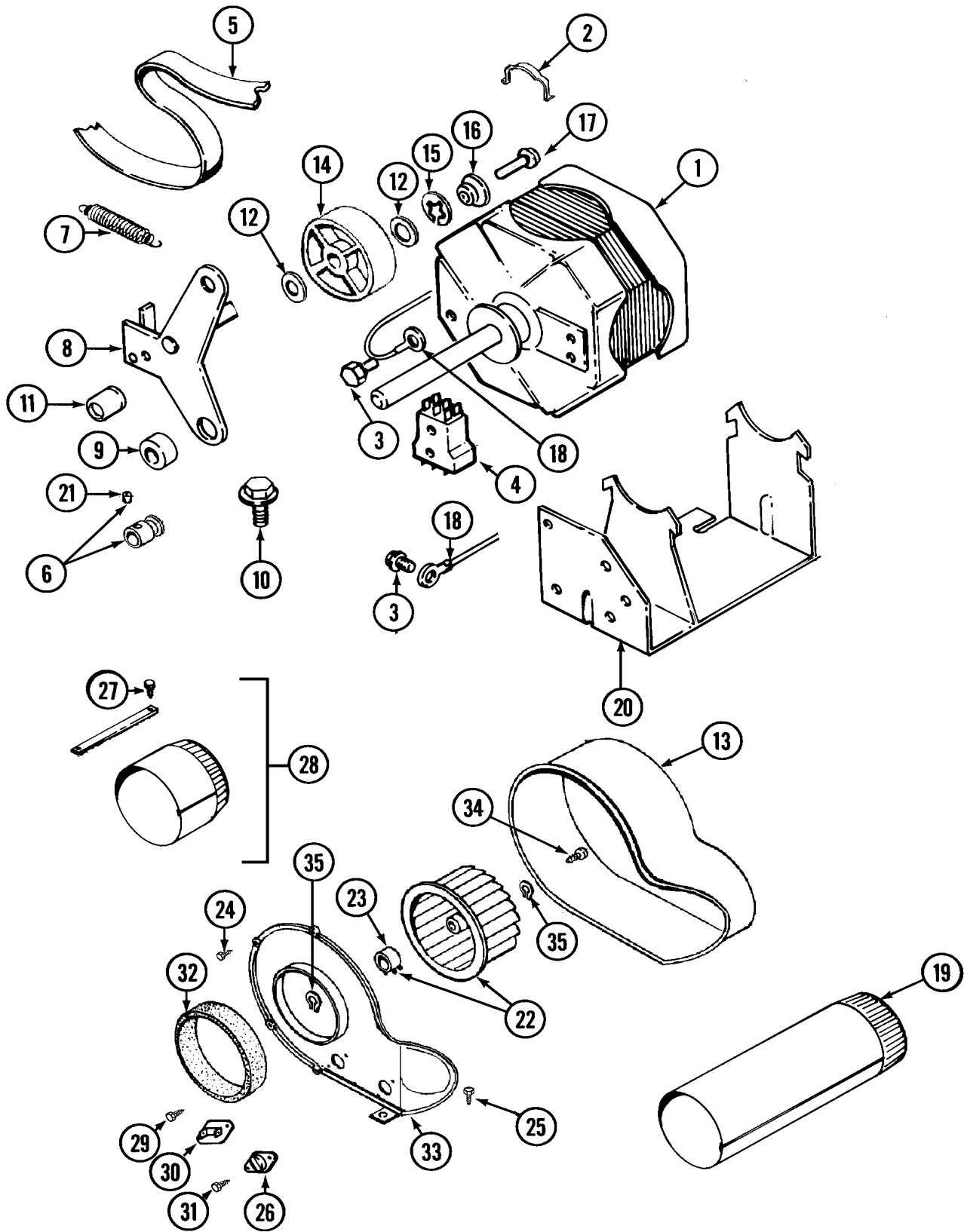
Section: HEATER

No.	Part No.	Description	Series	Qty
1	211294	SCREW	10	12
2	303362	INLET DUCT ASSEMBLY - DE Note: INLET DUCT ASSEMBLY	10	1
3	314995	HEATER ENCLOSURE Note: ENCLOSURE, HEATER	10	1
4	315346	BRACKET, THERMAL FUSE	10	1
5	314848	SCREW Note: SCREW, THERMAL	10	2
6	307473	FUSE, THERMAL	10	1
7	314998	INSULATOR, TERMINAL	10	2
8	308256	HEATER SUB ASSY Note: (240V-CAN)	10	1
9	33002682	RADIANT SHIELD	19	1
9	33002682	RADIANT SHIELD Note: RADIANT SHIELD PILOT	17	1
10	N 314554	SCREW Note: SCREW, TERMINAL INSULATOR	10	2
11	303396	THERMOSTAT, HI-LIMIT (ELEC)	10	1
12	33001401	HEATER ASSY. (COMPLETE 240) Note: (240V-CANADA)	10	1
-	N 308591	CONVERSION KIT(240V TO 208V) Note: CONVERSION KIT (240V TO 208V)	10	1

*Color Code (-)=Not Shown #=Series, Serial Prefix or Run No., N=Not Available

Section: MOTOR-DRYER & BLOWER

Model: LSE7806ADM



LS14-10

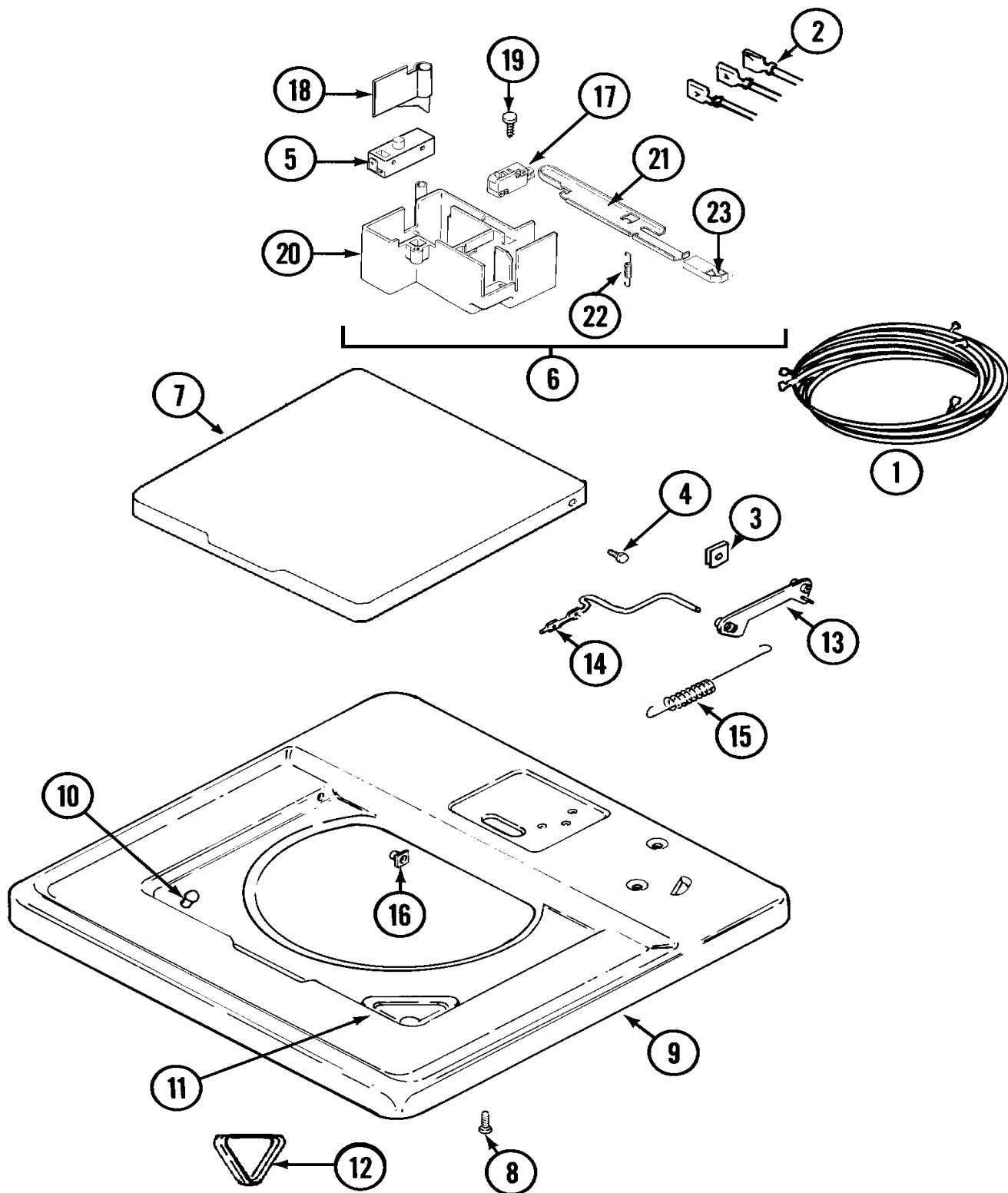
Section: MOTOR-DRYER & BLOWER

No.	Part No.	Description	Series	Qty
1	306055	MOTOR	10	1
2	015825	CLIP, MOTOR	10	2
3	910343	SCREW, GROUND WIRE	10	2
4	303877	SWITCH, MOTOR Note: SWITCH, MOTOR EXTERNAL START (PROD. #306055-1)	10	1
4 N	306207	SWITCH, MOTOR START-PROD. Note: SWITCH, MOTOR EXTERNAL START (PROD. # 306055-2)	10	1
5	314774	BELT, DRUM	10	1
6	306099	MOTOR PULLEY WITH SET SCREW Note: PULLEY, MOTOR (W/SET SCREW)	10	1
7	314473	SPRING FOR IDLER Note: SPRING, IDLER PULLEY	10	1
8	303363	IDLER ARM & SHAFT ASSY. Note: IDLER ARM & SHAFT ASSEMBLY	10	1
9	314457	SPACER FOR IDLER ARM Note: SPACER, IDLER ARM	10	1
10 N	313561	SCREW----NA Note: SCREW, MOTOR SUPPORT	10	1
-	312057	SCREW,SPACER Note: SCREW, SPACER	10	1
11	314456	SPACER Note: SPACER, IDLER PULLEY	10	1
12	312527	WASHER, IDLER SHAFT (QTY-1) Note: WASHER, IDLER SHAFT	10	2
13	312893	HOUSING, BLOWER	10	1
14	303705	PULLEY, IDLER Note: PULLEY, IDLER (W/BEARING)	10	1
15	312958	RETAINING RING, IDLER SHAFT	10	1
16 N	312894	SLEEVE, IDLER ARM Note: SLEEVE, IDLER ARM	10	1
17	310842	SCREW Note: SCREW, IDLER ARM & SLEEVE	10	1
18	901220	WIRE, GROUND Note: GROUND WIRE	10	1
19	306637	EXHAUST DUCT ASSEMBLY	10	1
20	306054	SUPPORT, MOTOR	10	1
21	053241	SET SCREW, PULLEY	10	1
22	303836	BLOWER WHEEL ASSEMBLY & CLAMP Note: IMPELLER, BLOWER (W/CLAMP)	10	1
23	312967	CLAMP, BLOWER HOUSING Note: CLAMP, BLOWER WHEEL	10	1
24	312961	SCREW	10	6
25 N	313561	SCREW----NA Note: SCREW, HOUSING COVER	10	1
26	306911	THERMOSTAT,(ELEC) MULTI-TEMP Note: THERMOSTAT, MULTI-TEMP.	10	1
27	310632	SCREW Note: SCREW, DUCT EXTENSION	10	2
28	306643	DUCT W/BRACKET & SCREWS Note: DUCT, EXTENSION (W/SCREWS)	10	1
29	211294	SCREW Note: SCREW, THERMOSTAT	10	2
30	306604	CUT-OFF, THERMAL	10	1
31	314848	SCREW Note: SCREW, THERMAL CUT-OFF	10	2
32	312901	SEAL, BLOWER Note: SEAL, HOUSING COVER	10	1
33	314846	COVER, BLOWER HOUSING	10	1
34	310632	SCREW Note: SCREW, BLOWER HOUSING	10	4
35	410233	RING, RETAINING	10	2

*Color Code (-)=Not Shown #=Series, Serial Prefix or Run No., N=Not Available

Section: TOP & LID

Model: LSE7806ADM



LS12-17

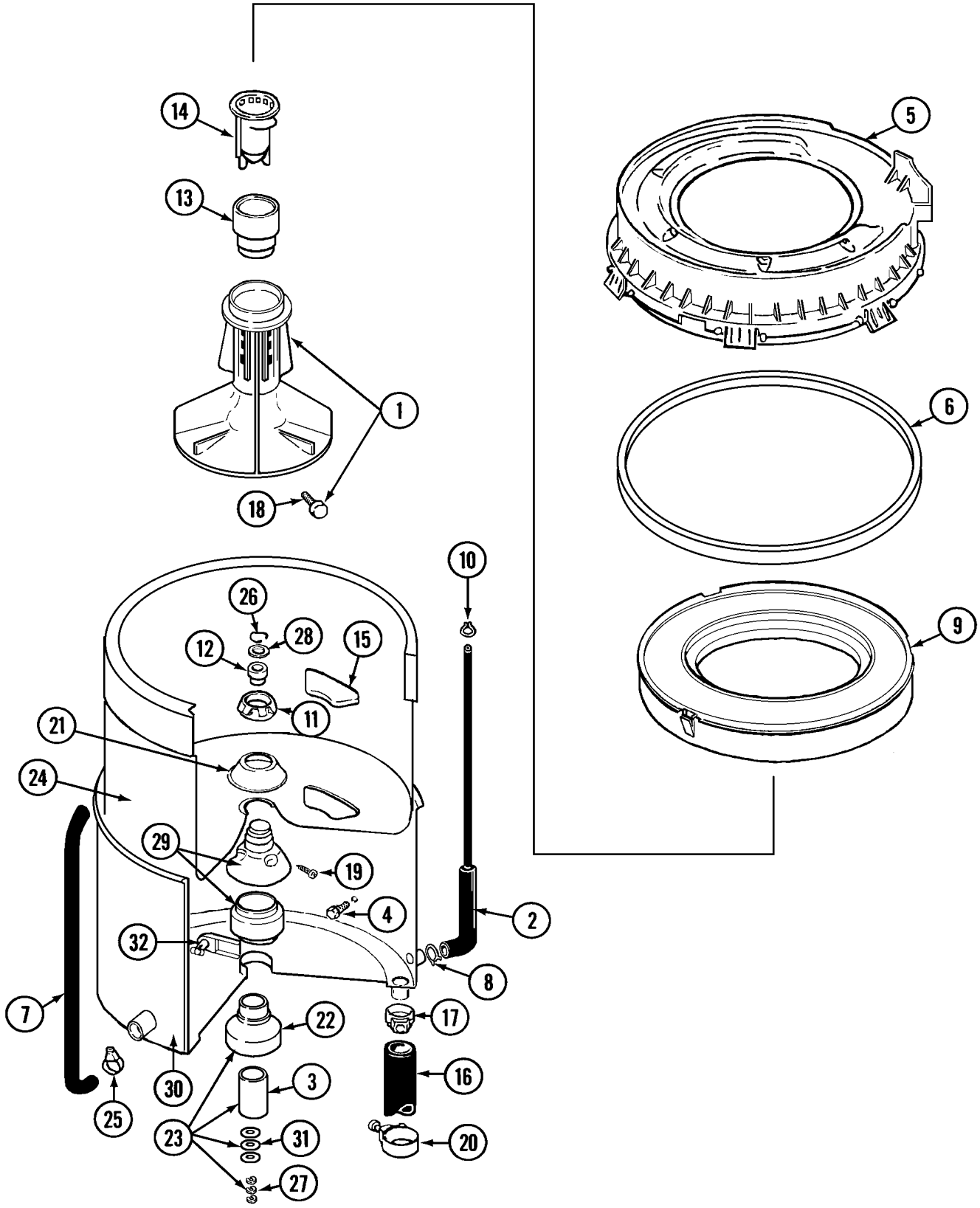
Section: TOP & LID

No.	Part No.	Description	Series	Qty
-	22001584	HARNES, WIRE (WASHER) Note: WIRE HARNES (LWR-CAN.)	10	1
1	N 22001426	WIRE HARNES (UPR. CANADA) Note: WIRE HARNES (UPR-CAN.)	10	1
2	22001939	HARNES, LID SWITCH Note: WIRE HARNES, LID SWITCH	10	1
3	22001194	CLIP, SPRING	10	2
4	22001001	SCREW Note: SCREW, COUNTER-BALANCE ROD	10	4
5	208823	PC SWITCH, LID Note: SWITCH, LID	10	1
6	22001581	SWITCH ASSY., LID	10	1
6	22001555	FUSE (250V 1A) Note: FUSE (250V 1A),LID SWITCH	10	1
7	N 22001369	LID W/LEGEND (CANADA-ALM)---NA Note: (W/LEGEND-CAN.-ALM)	10	1
8	214354	SCREW Note: SCREW, TOP COVER	10	2
9	22001063	COVER, TOP (ALM)----NA	10	1
10	212716	BUMPER, LID	10	2
11	22001008	CUP, BLEACH (ALM)	10	1
12	215374	GASKET FOR BLEACH CUP Note: GASKET, BLEACH CUP	10	1
13	22001189	ROD, RESTRAINT	10	2
14	22001208	ROD, COUNTER BALANCE	10	2
15	216184	SPRING, COUNTER BALANCE Note: SPRING, COUNTER-BALANCE	10	2
16	22001193	BEARING, COUNTER BALANCE Note: BEARING, COUNTER-BALANCE	10	2
17	207166	SWITCH, CHECK	10	1
18	22001283	TRIGGER	10	1
19	215537	SCREW Note: SCREW, LID SWITCH ASSEMBLY	10	1
19	22001183	SCREW Note: SCREW, LID SWITCH ASSEMBLY	10	1
20	22001285	HOLDER, SWITCH	10	1
21	22001286	SWITCH, ARM	10	1
22	22001287	SPRING, SWITCH	10	1
23	22001250	GLIDE, SWITCH ARM	10	1

*Color Code (-)=Not Shown #=Series, Serial Prefix or Run No., N=Not Available

Section: TUB

Model: LSE7806ADM



LW13-7

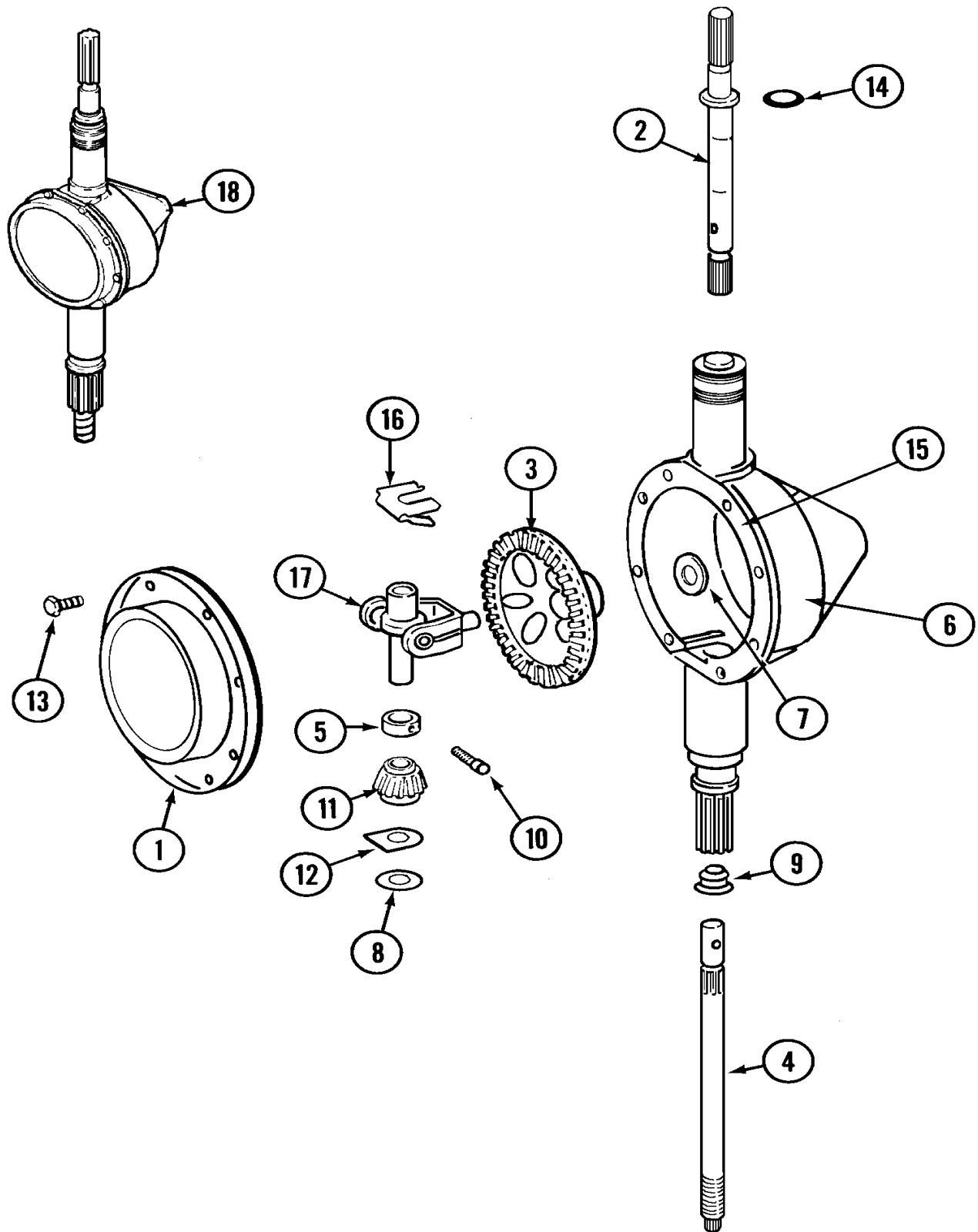
Section: TUB

No.	Part No.	Description	Series	Qty
1	207538	AGITATOR W/LOCK SCREW Note: AGITATOR (W/LOCK SCREW)	10	1
2	22001616	TUBE, AIR Note: TUBE, WATER LEVEL SWITCH	10	1
3	211130	LINER, TUB BEARING	10	1
4	205254	BOLT & GASKET ASSEMBLY (LONG) Note: (LONG)	10	2
4	200744	BOLT & GASKET ASSY.(SHORT) Note: BOLT & GASKET ASSY. (SHORT)	10	1
5	22001299	TUB COVER & GASKET ASSEMBLY Note: TUB COVER & GASKET ASSEMBLY	10	1
6	22001007	GASKET Note: GASKET, TUB COVER	10	1
7	214495	TUBE, INLET TO TUB Note: TUBE, BLEACH	10	1
8	211641	CLAMP, 1-1/16" Note: CLAMP (1-1/16")	10	1
9	22001142	RING, BALANCE (W/CONCRETE) Note: RING, BALANCE (W/CONCRETE)	10	1
10	410296	CLAMP,WATER LEVEL SWTCH TUBE	10	1
11	211047	NUT, CLAMPING (INNER TUB)	10	1
12	22001648	MOUNTING STEM AND SEAL KIT Note: SEAL, AGITATOR DRIVE SHAFT (MUST ORDER 22001648 MOUNTING STEM AND SEAL KIT)	10	1
13	22001295	HOUSING, DISPENSER Note: HOUSING, DISPENSING CUP	10	1
14	22001294	CUP, DISPENSING	10	1
15	207219	FILTER, SELF-CLEANING	10	2
16	213045	DRAIN HOSE-TUB TO PUMP Note: HOSE, OUTER TUB	10	1
17	22001640	CLAMP, HOSE Note: CLAMP, HOSE (TUB OUTLET)	10	1
18	206478	SCREW & WASHER FOR AGITATOR Note: SCREW & WASHER, AGITATOR	10	1
19	22001423	SCREW, SET (TORX) Note: SET SCREW, MOUNTING STEM	10	1
20	22001640	CLAMP, HOSE Note: CLAMP, HOSE (TUB HOSE)	10	1
21	211210	WASHER,CLAMPING NUT(STAINLESS) Note: WASHER, CLAMPING NUT	10	1
22	200824	BEARING, TUB	10	1
23	204013	TUB BEARING REPAIR KIT	10	1
24	22001140	TUB, INNER (LARGE-WHT) Note: TUB, INNER (WHT-LRG)	10	1
25	205161	CLAMP - 15/16" Note: CLAMP, BLEACH HOSE	10	1
26	015667	RETAINING RING	10	1
27	054867	WASHER, LOCK	10	3
28	015666	WASHER,RETAINING(CENTER SEAL)- Note: WASHER, RETAINING	10	1
29	22001648	MOUNTING STEM AND SEAL KIT	10	1
30	22001116	TUB, OUTER (STACK) Note: TUB, OUTER	10	1
31	211100	WASHER, CUSHION	10	3
32	214434	SPOUT, DEFLECTOR	10	1

*Color Code (-)=Not Shown #=Series, Serial Prefix or Run No., N=Not Available

Section: TRANSMISSION

Model: LSE7806ADM



LW15-14

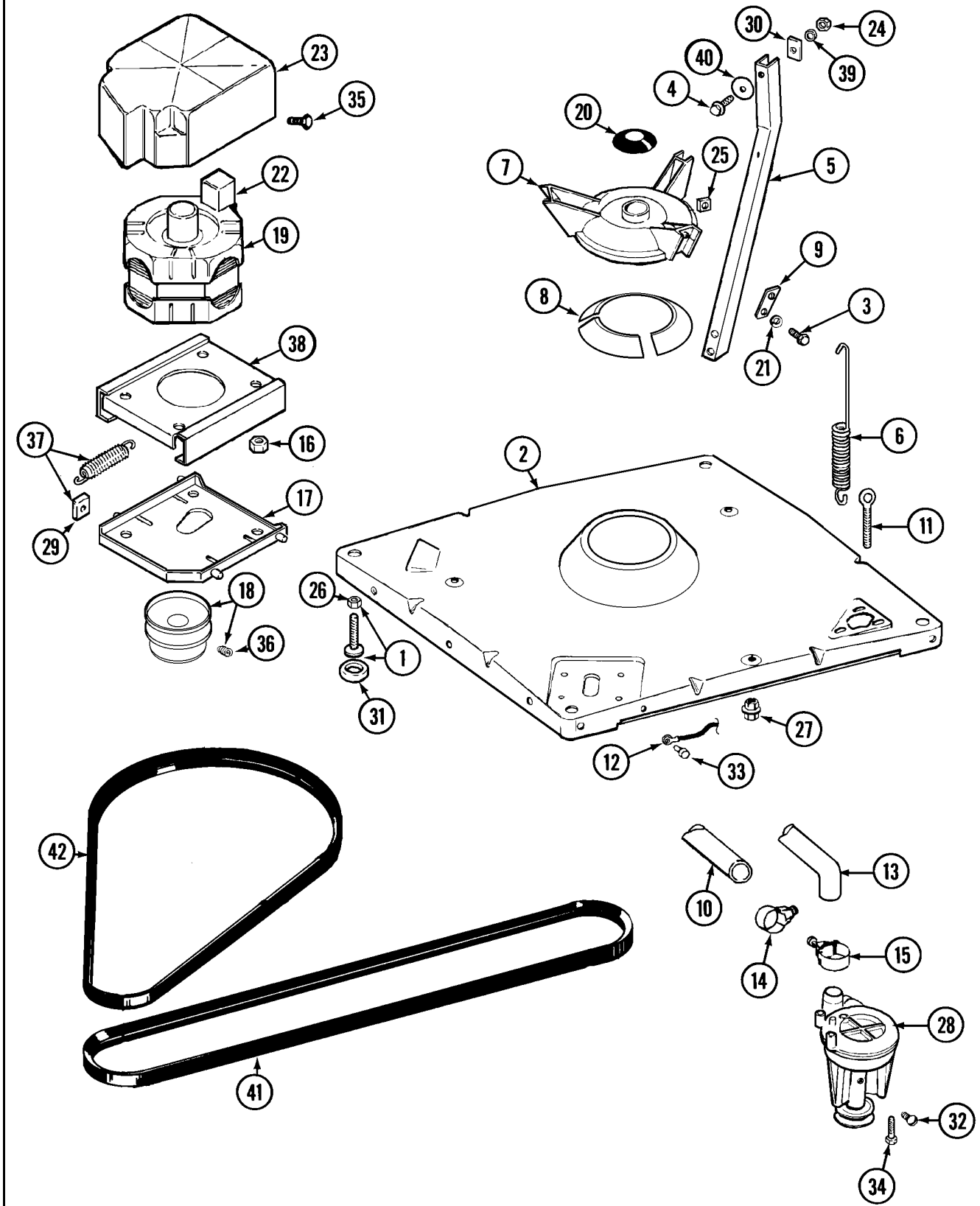
Section: TRANSMISSION

No.	Part No.	Description	Series	Qty
1	206628	COVER, TRANSMISSION	10	1
-	22002340	COLLAR, AGITATOR SHAFT	13	1
2	22002415	SHAFT, AGITATOR	13	1
2	207153	SHAFT, AGITATOR (W/SPRING) Note: SHAFT, AGITATOR (W/SPRING)	10	1
3	206713	GEAR, BEVEL	10	1
4	22002342	SHAFT, CENTER (DEEP TUB)	13	1
4	215410	CENTER SHAFT - LARGER Note: SHAFT, CENTER	10	1
5	22002353	COLLAR, CENTER SHAFT	13	1
-	22002341	COLLAR, LOWER PLASTIC KEEPER	13	1
5	215415	COLLAR, LOWER Note: COLLAR (LWR)	10	1
6	206624	HOUSING, TRANSMISSION	10	1
6	22002416	ASSEMBLY, CASE CASTING DEEP	13	1
7	215394	WASHER, BEVEL GEAR	10	1
8	211483	WASHER, SPLINED Note: WASHER, SPLINED	10	1
9	206602	SEAL, LIP (CENTER SHAFT) Note: SEAL, LIP	10	1
10	206629	PIN, COLLAR Note: PIN, COLLAR	10	1
11	215401	PINION	10	1
12	215395	PLATE, CLUTCH Note: PLATE, CLUTCH	10	1
13	215417	SCREW, TRANSMISSION COVER	10	8
14	210690	SEAL, RUBBER Note: SEAL, RUBBER	10	1
14	22002417	O-RING AGITATOR SHAFT	13	1
15	058700	SILASTIC,ADH.SEALANT Note: SILASTIC, ADHESIVE SEALANT	10	1
16	215581	SPRING, AGITATOR SHAFT	10	1
17	206685	BLOCK, TORQUE AND YOKE ASSEMBL Note: TORQUE BLOCK & YOKE ASSY.	10	1
18	22002373	TRANSMISSION, ORB.(DEEP TUB) Note: TRANSMISSION (ORBITAL)	13	1
18	206707	TRANSMISSION, ORBITAL Note: TRANSMISSION (ORBITAL)	10	1
-	12002012	BRAKE/BEARING TOOL (COMPLETE)	10	1
-	20000021	LIP SEAL TOOL KIT	10	1

*Color Code (-)=Not Shown #=Series, Serial Prefix or Run No., N=Not Available

Section: BASE

Model: LSE7806ADM



LW10-3

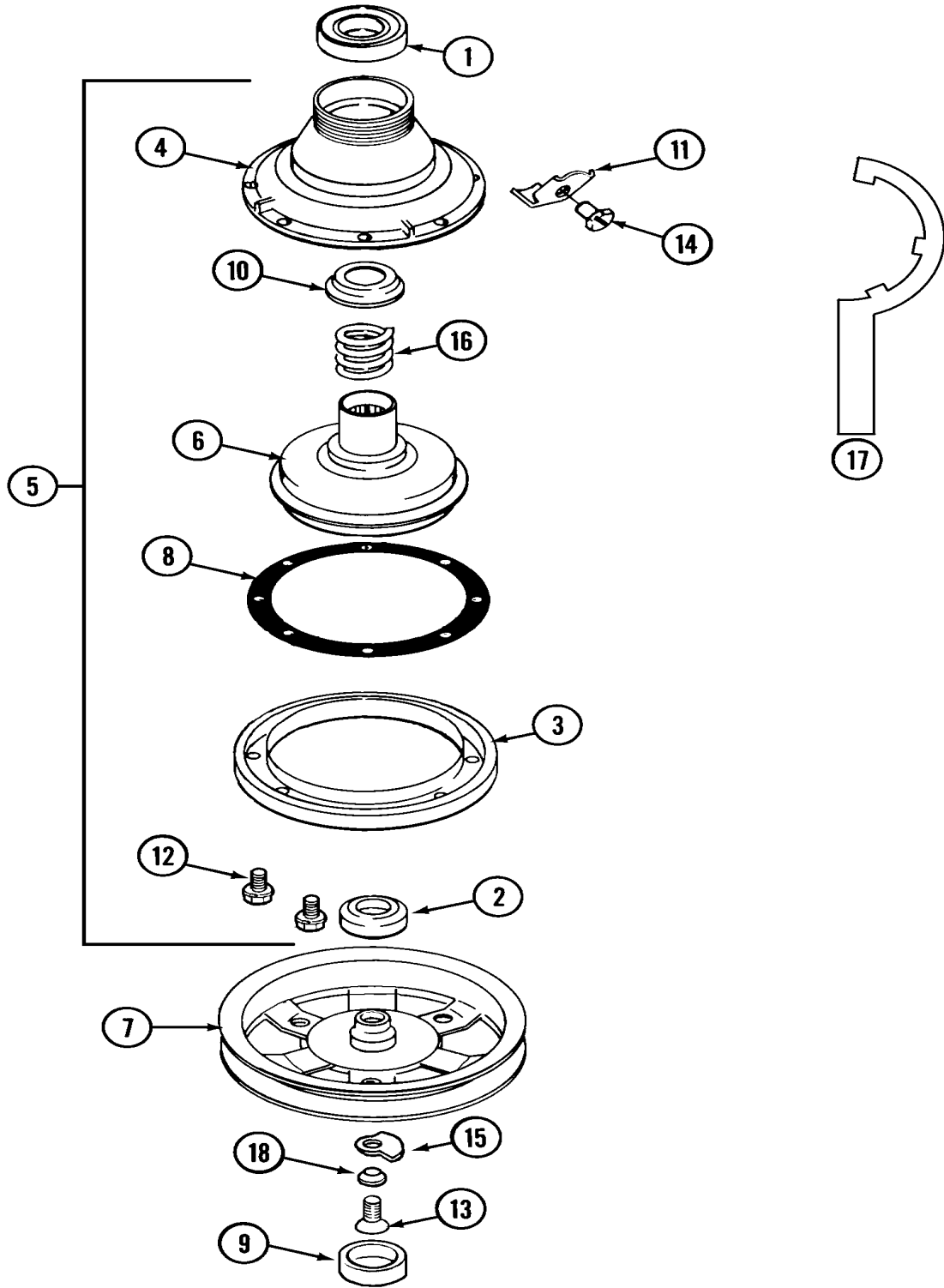
Section: BASE

No.	Part No.	Description	Series	Qty
1	302699	LEG, ADJUSTABLE (W/NUT) Note: LEG, ADJUSTABLE (W/NUT)	10	4
-	315471	RETAINER, WIRE Note: RETAINER, WIRE	10	4
-	22002151	CLIP, HOSE Note: CLIP, HOSE (HOSE TO BASE)	11	1
2	22002150	BASE (W/DAMPER PADS)	11	1
2	22001172	BASE (W/DAMPER PADS) Note: BASE (W/DAMPER PADS)	10	1
3	015627	SCREW, HEX HD CAP 5/16 X 5/8 Note: BOLT, TUB BRACE	10	6
4	200744	BOLT & GASKET ASSY.(SHORT) Note: BOLT & GASKET ASSY. (SHORT)	10	1
4	205254	BOLT & GASKET ASSEMBLY (LONG) Note: (LONG)	10	2
5	213053	BRACE, TUB Note: BRACE, TUB	10	3
6	22001300	SPRING, CENTERING	10	3
7	203725	DAMPER W/BOLT & CLIP Note: DAMPER (W/BOLT & CLIP)	10	1
8	203956	DAMPER PAD KIT (W/POLY LUBE) Note: DAMPER PAD KIT (3 PADS W/POLY LUBE)	10	1
9	213073	WASHER, DOUBLE Note: WASHER, DOUBLE	10	3
10	215365	HOSE Note: HOSE, PUMP	10	1
11	216416	BOLT, EYE/CENTERING SPRING Note: EYEBOLT, CENTERING SPRING	10	3
13	213045	DRAIN HOSE-TUB TO PUMP Note: HOSE, OUTER TUB	10	1
14	22001640	CLAMP, HOSE Note: CLAMP, SIPHON BREAK HOSE	10	1
15	22001640	CLAMP, HOSE Note: CLAMP, TUB HOSE	10	1
16	311426	NUT, WASHERED LOCK Note: KEPS NUT, MOTOR BASE	10	3
17	22001301	MOUNT, MOTOR LOWER-ASSEMBLY	10	1
18	200816	PULLEY, MOTOR (W/SET SCREW) Note: PULLEY, MOTOR (W/SET SCREW)	10	1
19	201805	MOTOR (ONE SPEED)	10	1
20	22001586	DEFLECTOR, WATER	10	1
21	911852	WASHER, LOCK (BRACE) Note: WASHER, LOCK	10	6
22	205132	SWITCH, MOTOR START Note: SWITCH, MOTOR EXTERNAL START (PROD #201664-14)	10	1
22	206505	SWITCH, MOTOR START Note: SWITCH, MOTOR EXTERNAL START (PROD #201664-15)	10	1
23	215098	SHIELD, MOTOR Note: SHIELD, MOTOR	10	1
24	052734	NUT Note: NUT, BRACE	10	3
25	052785	NUT,BRACE TO DAMPER Note: NUT, BRACE	10	6
26	210385	NUT, LOCK Note: NUT, LOCK	10	4
27	211949	NUT, EYEBOLT Note: NUT, EYEBOLT	10	3
28	202203	PUMP AS PAK	10	1
29	204998	GLIDE KIT (4 W/POLY LUBE) Note: GLIDE KIT (4 W/POLY LUBE)	10	1
30	212979	WASHER, TUB BRACE Note: WASHER, TUB BRACE	10	3
31	210684	FOOT, RUBBER Note: FOOT, RUBBER	10	4
32	015408	SCREW, BEARING INSERT Note: SCREW, BEARING INSERT	10	1
34	211880	SCREW, HEX HD #10 X 1/2 INC Note: SCREW, PUMP	10	3
35	213121	SCREW Note: SCREW, MOTOR SHIELD	10	1
36	053241	SET SCREW, PULLEY Note: SET SCREW, MOTOR PULLEY	10	1
37	205000	GLIDE & SPRING KIT	10	1
38	214956	MOUNT, MOTOR/UPPER Note: PLATE, MOTOR MOUNT (UPR)	10	1
39	054867	WASHER, LOCK Note: WASHER, LOCK	10	3
40	211100	WASHER, CUSHION Note: WASHER, CUSHION	10	3
41	211124	V BELT, PUMP	10	1
42	211125	V BELT,DRIVE PULLEY Note: V BELT, DRIVE PULLEY	10	1

*Color Code (-)=Not Shown #=Series, Serial Prefix or Run No., N=Not Available

Section: CLUTCH & BRAKE

Model: LSE7806ADM



LW15-15

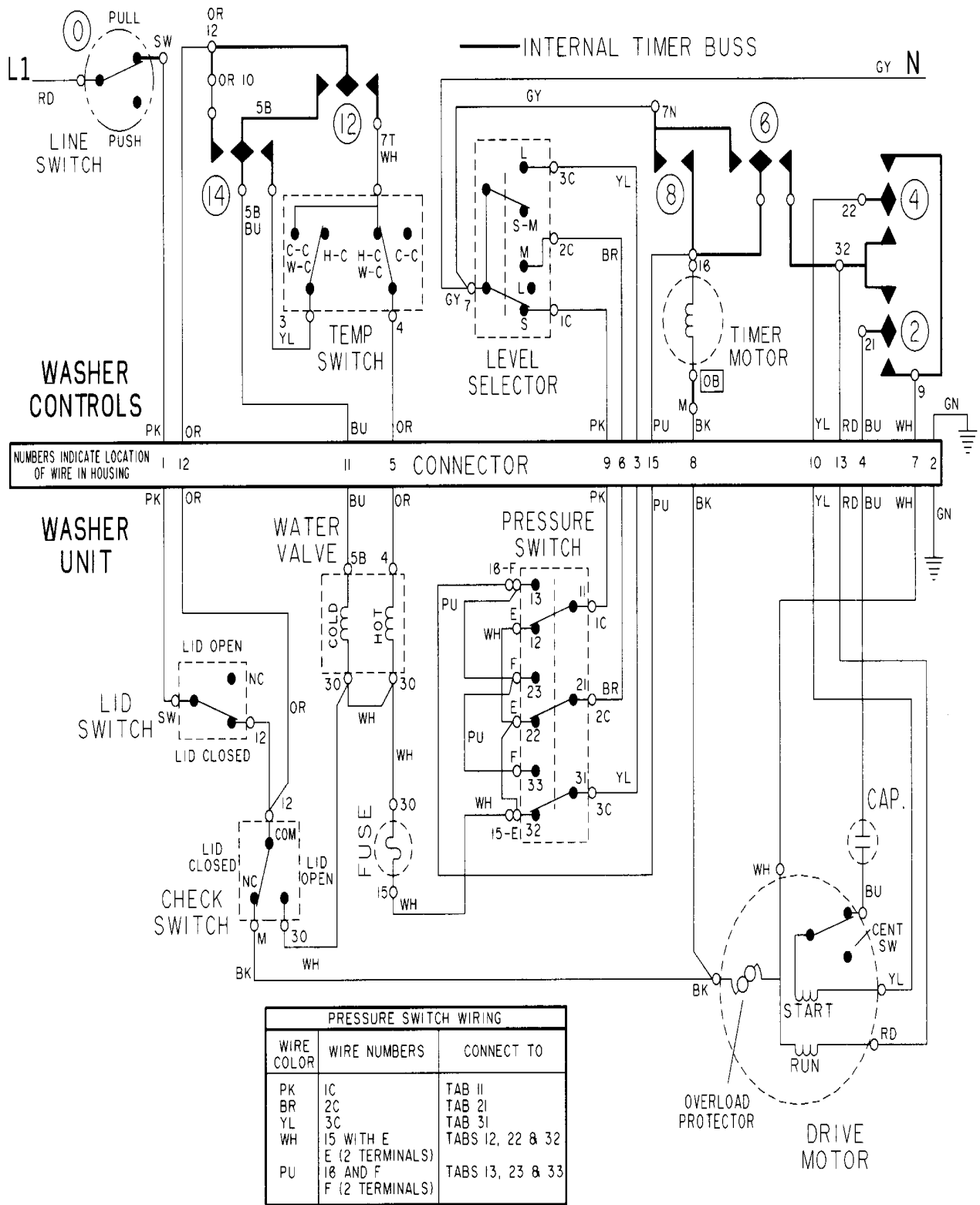
Section: CLUTCH & BRAKE

No.	Part No.	Description	Series	Qty
1	200720	BALL BEARING, RADIAL	10	1
2	200835	BEARING, BRAKE ROTOR Note: BEARING, BRAKE ROTOR	10	1
3	211043	DRUM, BRAKE Note: DRUM, BRAKE	10	1
4	211045	HOUSING, BRAKE Note: HOUSING, BRAKE	10	1
5	201190	BRAKE ASSEMBLY	10	1
-	038315	TOOL, BRAKE PKG ASSY	10	1
6	201126	ROTOR, BRAKE (W/FACING) Note: ROTOR, BRAKE (W/FACING)	10	1
7	211059	PULLEY, DRIVE	10	1
7	22002431	PULLEY ASSEMBLY	15	1
8	211042	GASKET, BRAKE DRUM Note: GASKET, BRAKE DRUM	10	1
9	22002428	COVER, DUST (PLASTIC)	15	1
9 N	211038	CAP, OIL RETAINER Note: CAP, OIL RETAINER	10	1
10	211039	RETAINER, BRAKE SPRING Note: RETAINER, BRAKE SPRING	10	1
11	213325	CLIP, RETAINER Note: RETAINER CLIP, DAMPER	10	1
12	211000	SCREW,HEX HEAD (BRAKE DRUM) Note: SCREW, BRAKE DRUM (HEX HD)	10	8
13	211375	SCREW,STOP LUG(CENTER SHAFT) Note: SCREW, DRIVE LUG	10	1
14	213326	SCREW, RETAINING CLIP Note: BOLT, RETAINING CLIP	10	1
15	211089	LUG, STOP	10	1
16	211041	SPRING, BRAKE Note: SPRING, BRAKE	10	1
17	038315	TOOL, BRAKE PKG ASSY Note: BRAKE PACKAGE ASSEMBLY TOOL	10	1
18	211090	WASHER, LOCK Note: WASHER, LOCK	10	1

*Color Code (-)=Not Shown #=Series, Serial Prefix or Run No., N=Not Available

Section: WIRING INFORMATION

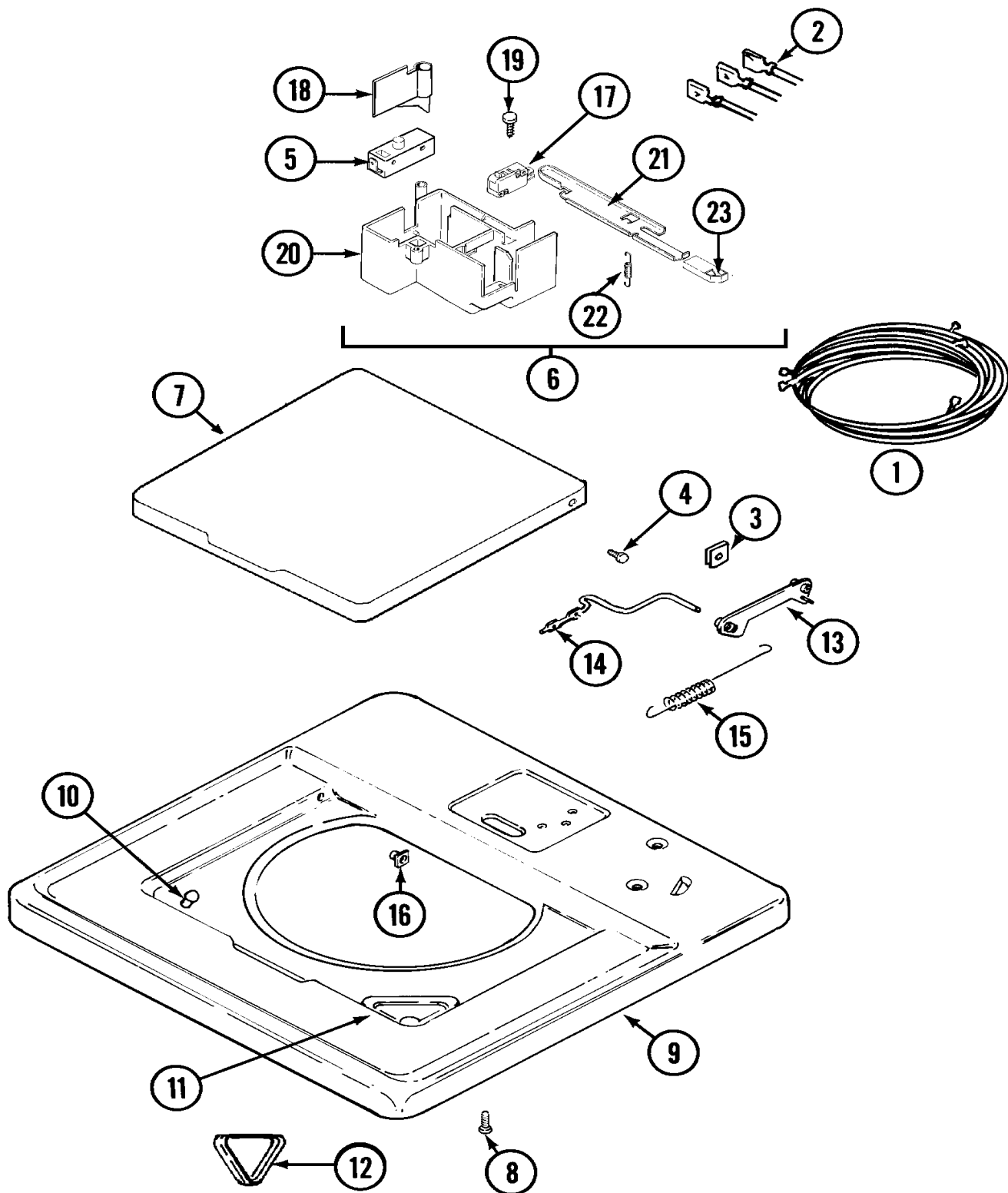
Model: LSE7806ADM



15002072

Section: TOP & LID (LSE7806ACQ/ADQ)

Model: LSE7806ADM



LS12-17

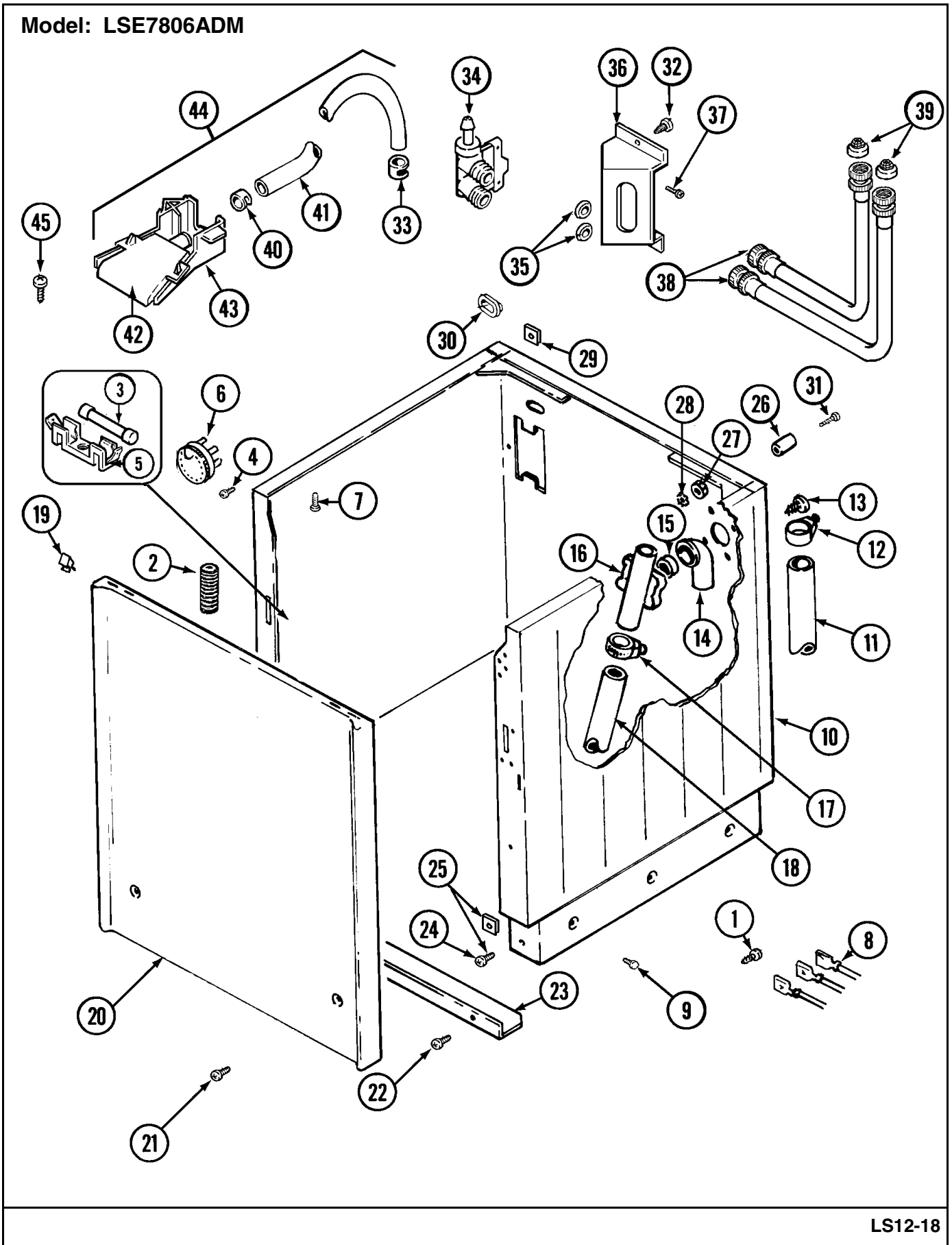
Section: TOP & LID (LSE7806ACQ/ADQ)

No.	Part No.	Description	Series	Qty
3	22001194	CLIP, SPRING	10	2
4	22001001	SCREW Note: SCREW, COUNTER-BALANCE ROD	10	4
5	208823	PC SWITCH, LID	10	1
6	22001555	FUSE (250V 1A) Note: FUSE (250V 1A),LID SWITCH	10	1
6	22001581	SWITCH ASSY., LID	10	1
7	22002652	LID, WITH LEGEND (BSQ)	10	1
8	214354	SCREW Note: SCREW, TOP COVER	10	2
9	22002646	COVER, TOP (BSQ)	10	1
10	212716	BUMPER, LID Note: BUMPER, LID	10	2
11	22002596	CUP, BLEACH (BSQ)	10	1
12	215374	GASKET FOR BLEACH CUP Note: GASKET, BLEACH CUP	10	1
13	22001189	ROD, RESTRAINT	10	2
14	22001208	ROD, COUNTER BALANCE	10	2
15	216184	SPRING, COUNTER BALANCE Note: SPRING, COUNTER-BALANCE	10	2
16	22001193	BEARING, COUNTER BALANCE Note: BEARING, COUNTER-BALANCE	10	2
17	207166	SWITCH, CHECK	10	1
18	22001283	TRIGGER	10	1
19	22001183	SCREW Note: SCREW, LID SWITCH ASSEMBLY	10	1
20	22001285	HOLDER, SWITCH	10	1
21	22001286	SWITCH, ARM	10	1
22	22001287	SPRING, SWITCH	10	1
23	22001250	GLIDE, SWITCH ARM	10	1

*Color Code (-)=Not Shown #=Series, Serial Prefix or Run No., N=Not Available

Section: CABINET

Model: LSE7806ADM



LS12-18

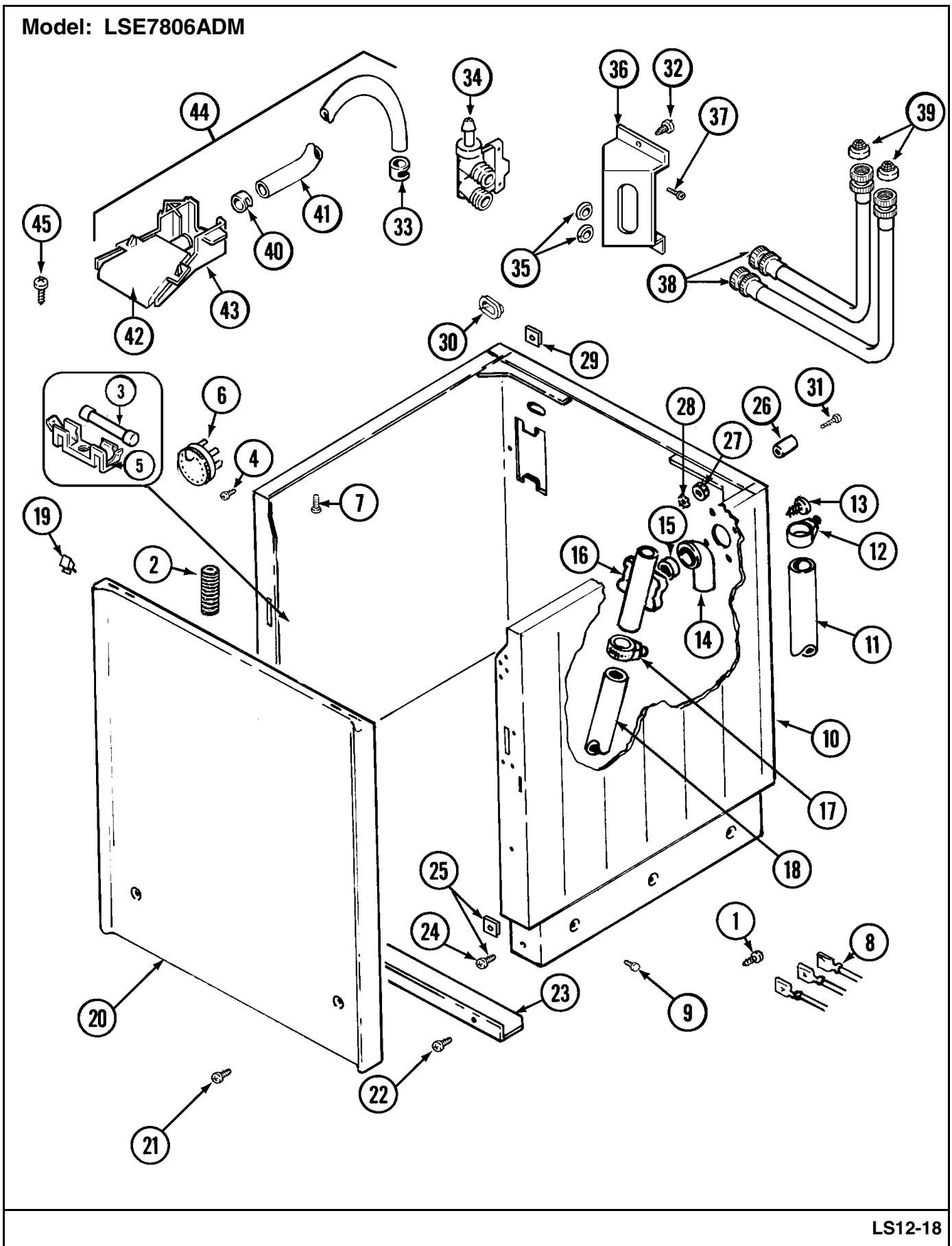
Section: CABINET

No.	Part No.	Description	Series	Qty
1	251119	SCREW Note: SCREW, HARNESS	10	2
-	211149	CLIP, CAPACITOR	10	1
2	200832	CAPACITOR	10	1
3	22001555	FUSE (250V 1A)		1
3	-----	NOT REQUIRED PART OR SEE NOTE Note: NOT REPLACEABLE (MUST ORDER LID SWITCH ASSY. COMPLETE. REFER TO TOP & LID SECTION FOR CORRECT PART NO.)	10	1
4	210720	RIVET Note: RIVET, CAPACITOR CLIP & BLOCK	10	3
5	207167	BLOCK, FUSE	10	1
6	207787	SWITCH, WATER LEVEL (PRESSURE)	10	1
-	208783	WIRE JUMPER Note: WIRE, JUMPER	10	1
7	214354	SCREW Note: SCREW, TOP COVER	10	1
8	22001585	HARNESS, WIRE (LOWER)	10	1
9	213007	SCREW, CABINET	10	6
10 N	22002134	CABINET (ALM)	11	1
10 N	22001067	CABINET (ALM)	10	1
-	22001820	CLAMP, HOSE	11	1
-	N 059149	(7/8" I.D. CARTON OF 50 FT.) Note: (7/8" I.D. CARTON OF 50 FT.)	10	1
-	22002700	HOSE, DRAIN	16	1
-	22001815	CLIP, HOSE Note: CLIP, HOSE (HOSE TO CABINET)	11	2
11	22001816	HOSE, DRAIN	11	1
11	216017	HOSE, DRAIN (7/8" I.D.)	10	1
-	22002701	RETAINER, DRAIN HOSE	16	1
12	200908	HOSE CLAMP - 1-1/2 INCH Note: CLAMP (1-1/2")	10	1
13	014874	SCREW Note: SCREW, SIPHON BREAK (REMOVED IN SERIES #11)	10	4
14	216016	ELBOW, SIPHON BREAK Note: (REMOVED IN SERIES #11)	10	1
15	214765	GASKET, SIPHON BREAK Note: (REMOVED IN SERIES #11)	10	1
16	206638	SIPHON BREAK(W/CLAMP) Note: HOUSING, SIPHON BREAK (REMOVED IN SERIES #11)	10	1
17	22001640	CLAMP, HOSE Note: CLAMP, HOSE (REMOVED IN SERIES #11)	10	1
18	215365	HOSE Note: HOSE, PUMP (REMOVED IN SERIES #11)	10	1
19	215711	FASTENER, SPRING	10	2
20	207205L	PANEL, FRONT (ALM)----NA	10	1
21	22001899	SCREW (ALM)	10	8
22	211294	SCREW Note: SCREW, BELT GUARD	10	3
23	213846	GUARD, BELT	10	1
24	213122	SCREW,CBNT.TO FRNT OF BASE--NA Note: SCREW, CABINET	10	2
25	204439	SCREW & FSTNER ASSY(FRT.PANEL) Note: SCREW & FASTENER ASSEMBLY	10	2
26	215276	BUSHING	10	1
27	310557	WASHER	10	1
28	052659	HEX. NUT, #8-32 Note: NUT, BUSHING SCREW	10	1
29	22001009	CLIP, SPRING Note: CLIP, SPRING	10	2
30 N	215950	PLUG, HOLE Note: (REMOVED IN SERIES #11)	10	1
31	215277	SCREW	10	1
32	212276	SCREW	10	1
33	216169	CLAMP,HOSE-INJEC.HOSE TO VALVE Note: CLAMP, INJECTOR HOSE	10	1
34	22002360	VALVE, WATER	14	1
34	22001274	VALVE, WATER	10	1
35	013783	GASKET, INLET HOSE	10	2
36	215264	BRACKET FOR WATER VALVE	10	1
36	22002374	BRACKET	14	1
37	22002372	SCREW Note: SCREW, WATER VALVE	14	1
37 N	313561	SCREW----NA Note: SCREW, WATER VALVE	10	2
38	200672	INLET HOSE ASSY. Note: INLET HOSE ASSEMBLY	10	2
39	200961	SCREEN WASHER, INLET HOSE Note: SCREEN WASHER, INLET HOSE	10	2
40	216170	CLAMP, HOSE	10	1
41	22001191	HOSE, INJECTOR (STACK) Note: HOSE, INJECTOR	10	1
42	22001187	INJECTOR (UPR)	10	1

*Color Code (-)=Not Shown #=Series, Serial Prefix or Run No., N=Not Available

Section: CABINET

Model: LSE7806ADM



LS12-18

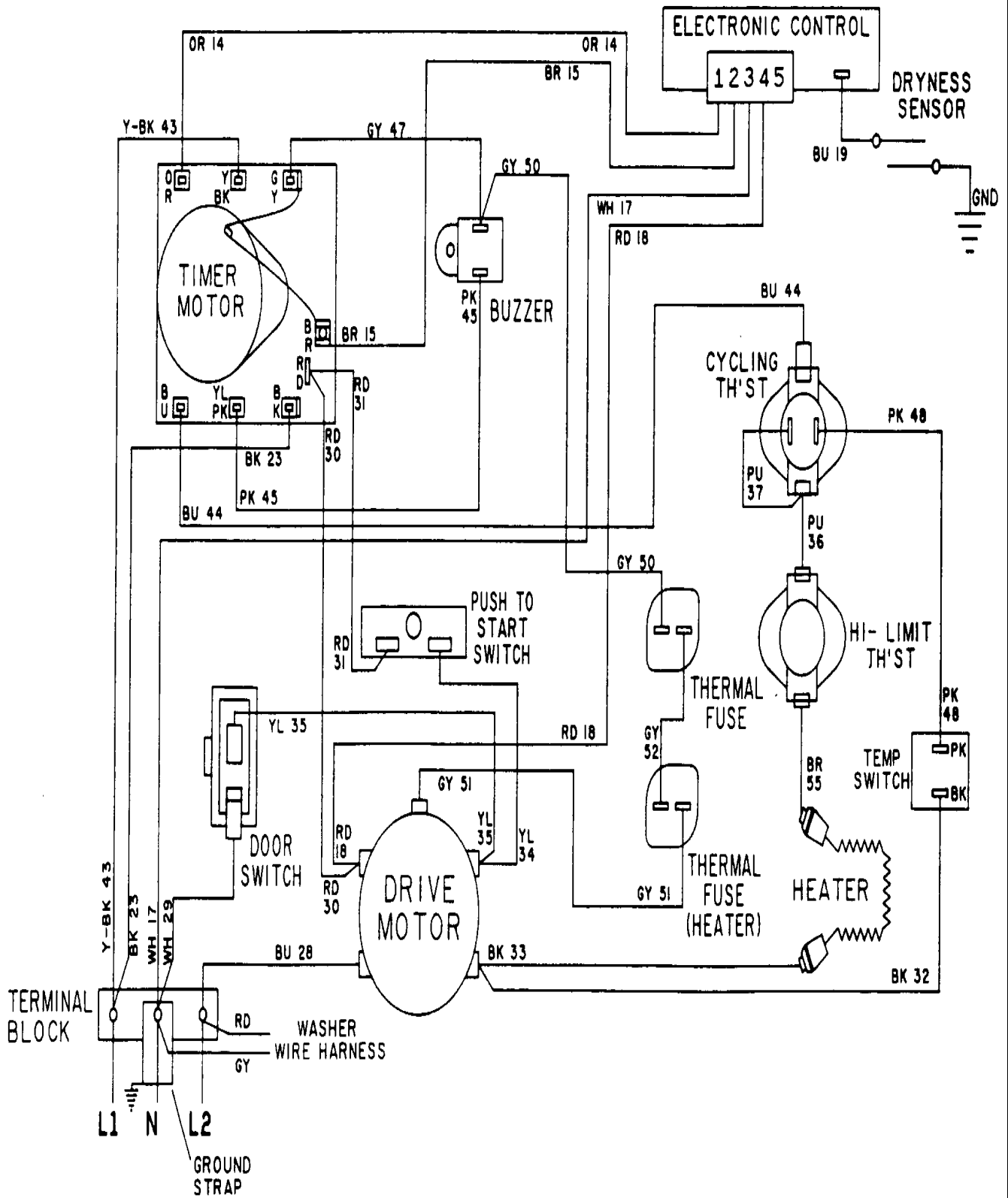
Section: CABINET

No.	Part No.	Description	Series	Qty
43	22001186	INJECTOR (LWR) Note: INJECTOR (LWR)	10	1
44	22001175	WATER INJECTOR ASSEMBLY Note: WATER INJECTOR ASSEMBLY	10	1
45	215537	SCREW Note: SCREW, INJECTOR	10	1
-	22001192	GLIDE Note: GLIDE, WASHER CABINET	10	1

*Color Code (-)=Not Shown #=Series, Serial Prefix or Run No., N=Not Available

Section: WIRING INFORMATION

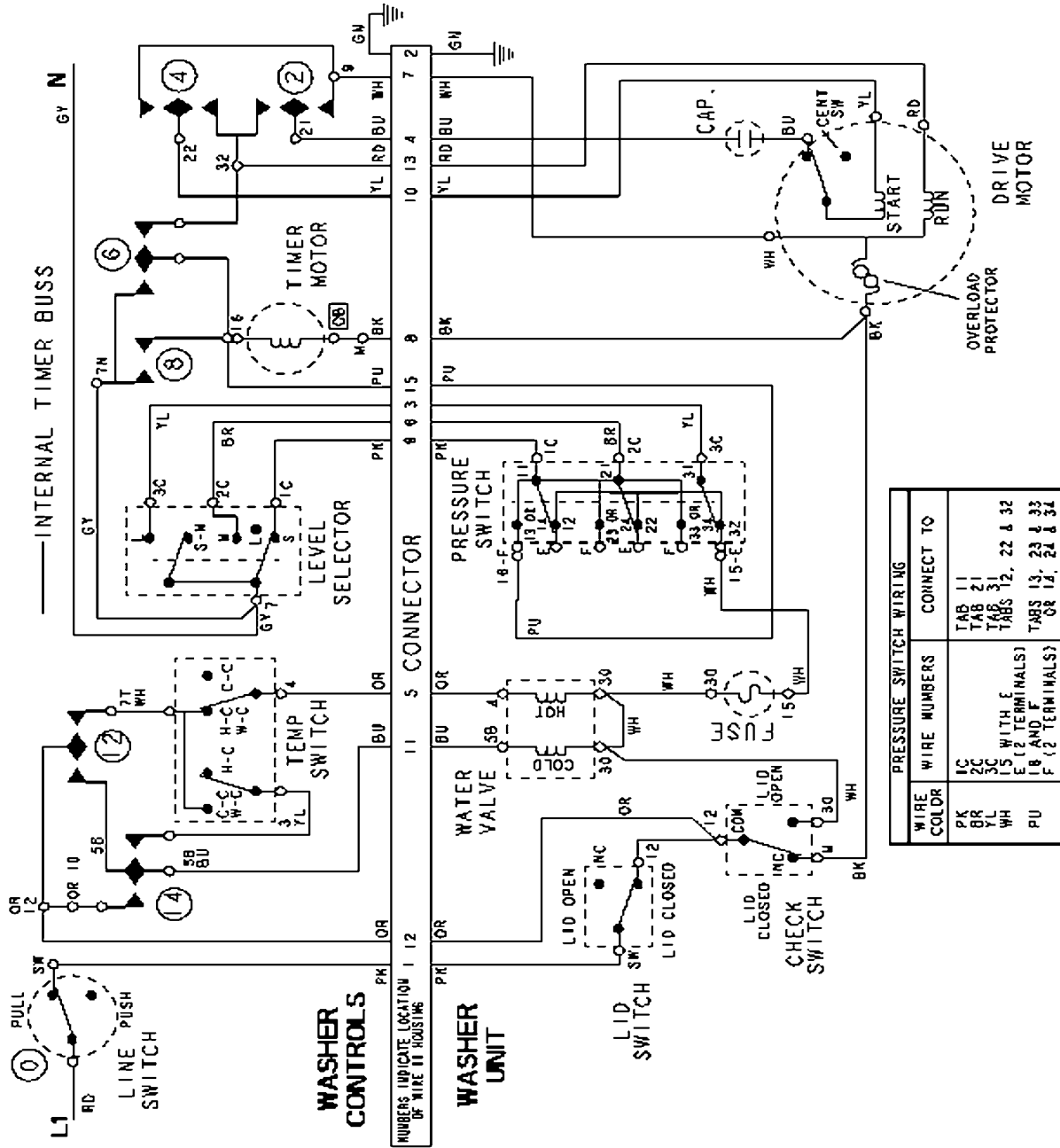
Model: LSE7806ADM



15001080

Section: WIRING INFORMATION

Model: LSE7806ADM



ELECTRICAL CIRCUIT

15003237

