

## COOKTOP DDRAFT

# Repair Parts List

MODEL NUMBER

JED8430ADB

When requesting service or ordering parts, always provide the following information:

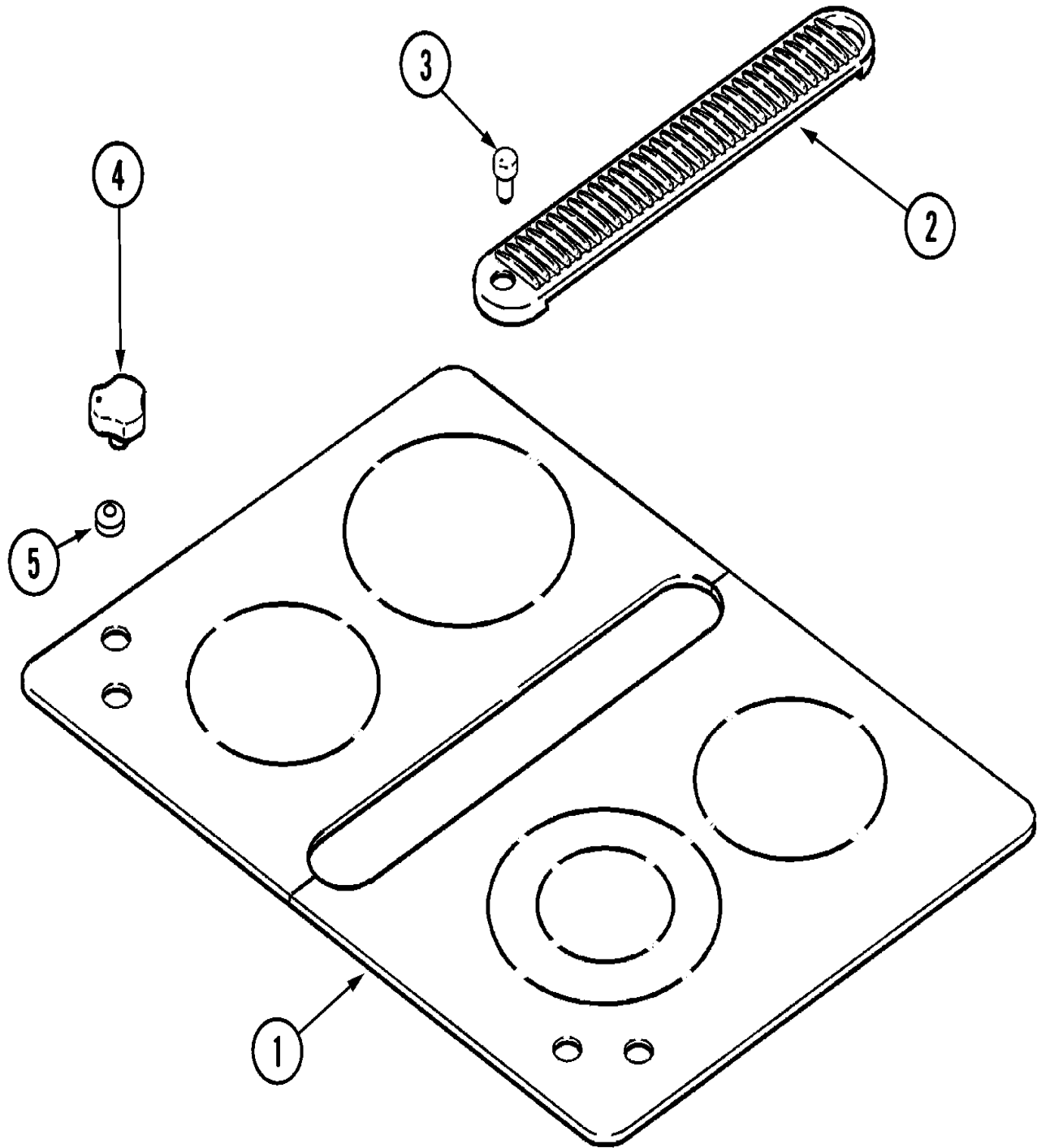
- Product Type
- Part Number
- Model Number
- Part Description

**MAYTAG**®

©2005 Maytag Services

Section: TOP ASSEMBLY

Model: JED8430ADB



C15-479

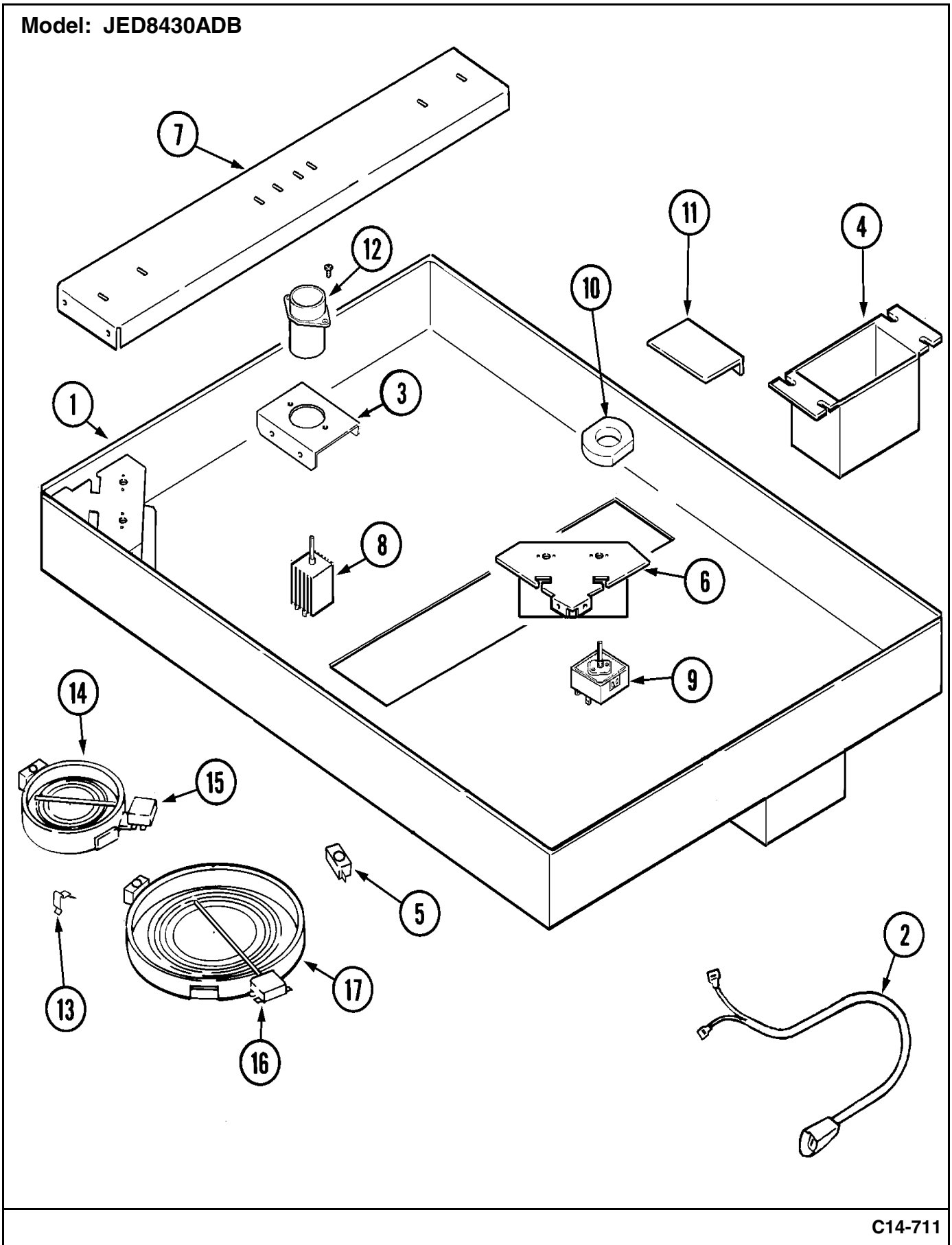
## Section: TOP ASSEMBLY

No.	Part No.	Description	Series	Qty
1	71003626	GLASS, TOP (BLK)	10	1
-	20000001	COOKTOP CLEANING CREME Note: COOKTOP CLEANING CREME	10	1
-	700502	SCREW Note: SCREW, TOP	10	8
-	71003485	TAPE, VINYL	10	4
1	74007029	GLASS, TOP (BLK)	14	1
1	74007072	GLASS, MAIN TOP (BLK) Note: GLASS, TOP (BLK)	15	1
2	71003481	GRILL, AIR (BLK)	10	1
-	706189	SCREW Note: SCREW, GRILL	10	6
3	71003548	KNOB, FAN (BLK)----SUB	10	1
4	71003477	KNOB, INFINITE (BLK)	10	4
-	74009537	SCREW (BLK)	10	4
5	706102	GROMMET, INFINITE SWITCH	10	4
-	74007084	HARNESS, SUPPLY	15	1
-	71003631	HARNESS, ELEMENT (RT)	10	1
-	71003629	WIRE, INDICATOR	10	4
-	71003473	HARNESS, SUPPLY	10	1
-	71003630	HARNESS, ELEMENT (LT)	10	1
-	71003475	HARNESS, INFINITE	10	2
-	74005321	MANUAL, USE & CARE	10	1
-	74005322	MANUAL, USE & CARE (FRCH)	10	1

\*Color Code (-)=Not Shown #=Series, Serial Prefix or Run No., N=Not Available

Section: BODY

Model: JED8430ADB



C14-711

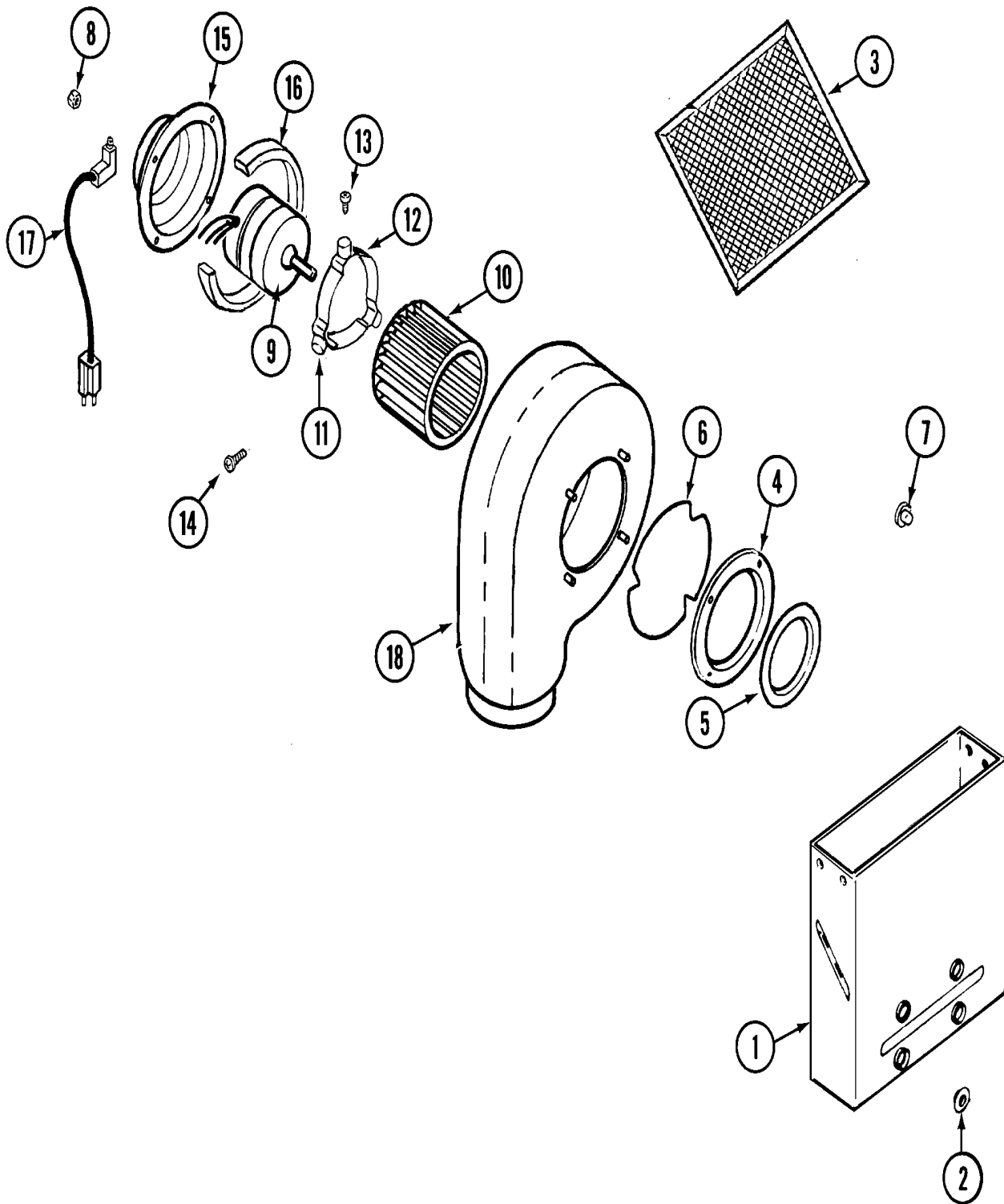
## Section: BODY

No.	Part No.	Description	Series	Qty
1	71003472	BOTTOM, BURNER BOX	10	1
1	74007640	BOTTOM, BURNER BOX	17	1
-	700502	SCREW Note: SCREW, BOX	10	15
2	71003476	CORD, FAN RECEPTACLE	10	1
-	Y04100274	SCREW #8 TRUSS Note: SCREW, BRACKET	10	2
3	N 71003559	BRACKET, FILLER (FRONT) Note: BRACKET, FILLER (FRONT) SEPARATELY IS PART OF 74005965 ONLY	PART NOT AVAILABLE	10 1
-	706174	COVER, JUNCTION BOX	10	1
4	706173	BOX, JUNCTION	10	1
-	700502	SCREW Note: SCREW, BOX	10	3
5	71003486	LIGHT, HOT	10	4
-	700502	SCREW Note: SCREW, BRACKET	10	1
6	74004940	BRACKET, SWITCH PLATE	10	2
7	71003467	PLATE, ELEMENT SUPPORT	10	2
8	74009254	SWITCH, FAN CONTROL Note: THIS PART USED FOR ALL SERIES (ORIGIANL FAN SWITCH NLA)	10	1
9	71001612	SWITCH, DUAL Note: SWITCH, DUAL ELEMENT (RT/FRT) USE PART AT SERIES 11 AS REPLACEMENT PART	10	1
9	71003489	SWITCH, INFINITE Note: SWITCH (LT/REAR)	10	1
9	71001166	SWITCH, INFINITE Note: SWITCH (LT/FRT, RT/REAR)	10	2
9	74007896	SWITCH, INFINITE (DUAL) Note: USE PART TO REPLACE 71001612	11	1
9	12002125	KIT, DUAL INFINITE SWITCH	18	1
10	706061	BOX, LIGHT	10	4
-	Y04100274	SCREW #8 TRUSS Note: SCREW, BOX LIGHT	10	8
11	71003470	BRACKET, FILLER (REAR)	10	1
12	74005965	KNOB SLEEVE/BRKT (FAN SWITCH)	10	1
13	Y04100418	SPRING, ELEMENT SUPPORT	10	8
-	7101P349-60	SCREW Note: SCREW, SPRING	10	8
14	74001011	ELEMENT W/LIMITER (6") Note: ELEMENT W/LIMITER (6")(LF/RR)	10	2
15	74004494	LIMITER Note: LIMITER (6")	10	2
16	74004494	LIMITER Note: LIMITER (8" & DUAL)	10	2
17	74001012	ELEMENT W/LIMITER (8") Note: ELEMENT W/LIMITER (8")(LR)	10	1
17	71003634	ELEMENT (DUAL-W/LIMITER) Note: ELEMENT (DUAL-W/LIMITER)(RF)	10	1

\*Color Code (-)=Not Shown #=Series, Serial Prefix or Run No., N=Not Available

Section: BLOWER ASSEMBLY-PLENUM

Model: JED8430ADB



C18-52

**Section: BLOWER ASSEMBLY-PLENUM**

No.	Part No.	Description	Series	Qty
1	74005989	PLENUM ASY	10	1
2	706193	PLUG, HOLE	10	4
3	706012	FILTER Note: FILTER, GREASE	10	1
4	704758	RING, INLET	10	1
5	704761	RING, RESTRICTOR	10	1
6	704762	RETAINER Note: RETAINER, SPRING	10	1
7	702889	LOCKNUT CAP, W/NYLON INSERT	10	4
8	707702	LOCKNUT Note: LOCKNUT, COVER	10	4
9	71001304	MOTOR, BLOWER	10	1
10	707985	WHEEL, BLOWER	10	1
-	71001534	GUARD, BLOWER	11	1
11	71003558	ISOLATOR, MOTOR	10	3
12	707393	BAND, MOTOR	10	1
13	7101P326-60	SCREW Note: SCREW, BAND	10	1
-	7103P027-60	NUT, TERMINAL BLOCK Note: NUT, MOTOR BAND	10	1
14	71003542	SCREW, ISOLATOR Note: SCREW, ISOLATOR	10	3
15	704760	COVER, MOTOR	10	1
16	715957	FOAM, URETHANE	10	1
17	702733	CORD, POWER (MOTOR) Note: CORD, POWER/MOTOR	10	1
18	712008	SCROLL, BLOWER ASSY.	10	1

\*Color Code (-)=Not Shown #=Series, Serial Prefix or Run No., N=Not Available

Section: WIRING INFORMATION

Model: JED8430ADB

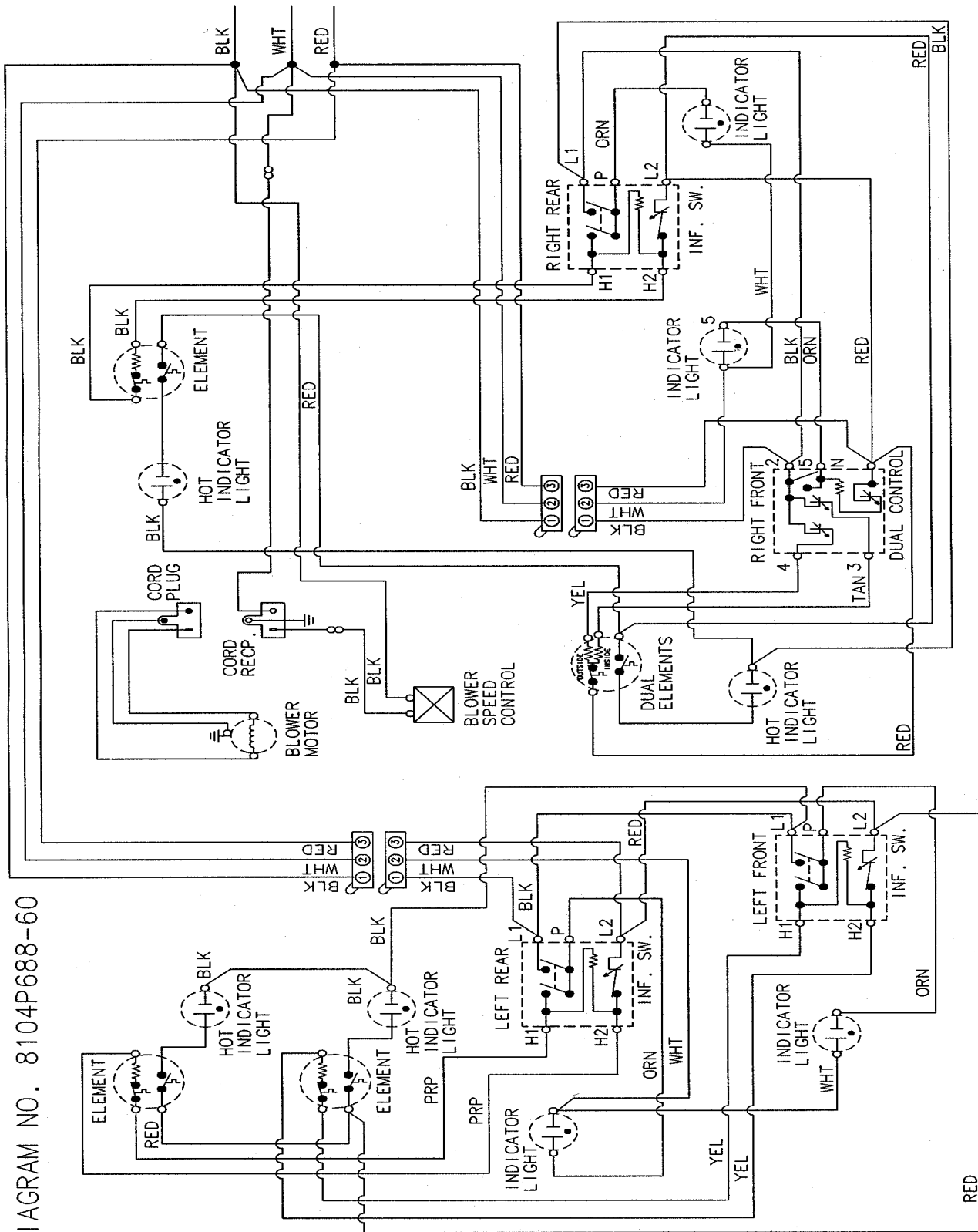


DIAGRAM NO. 8104P688-60

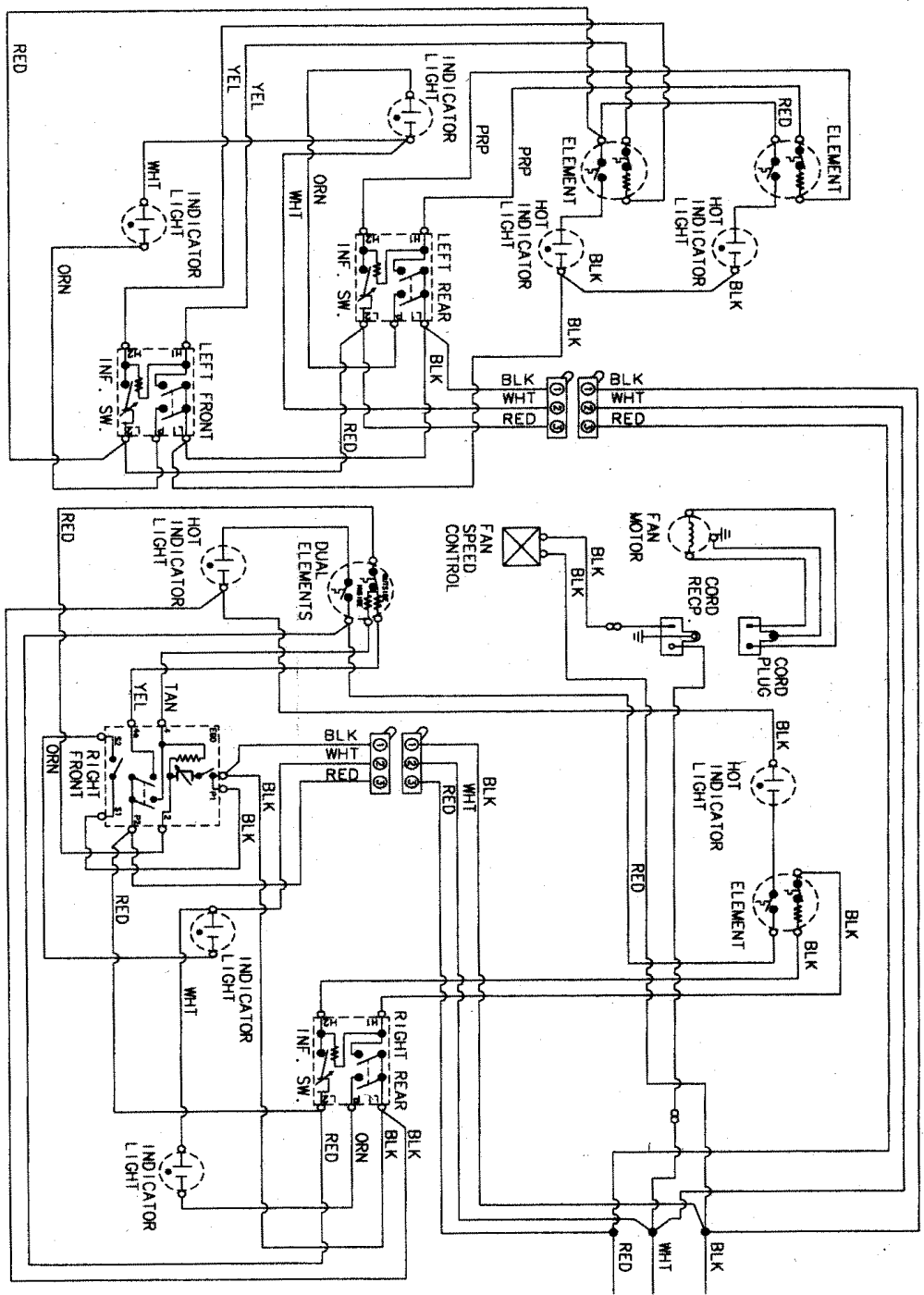
15002724



Section: WIRING INFORMATION

Model: JED8430ADB

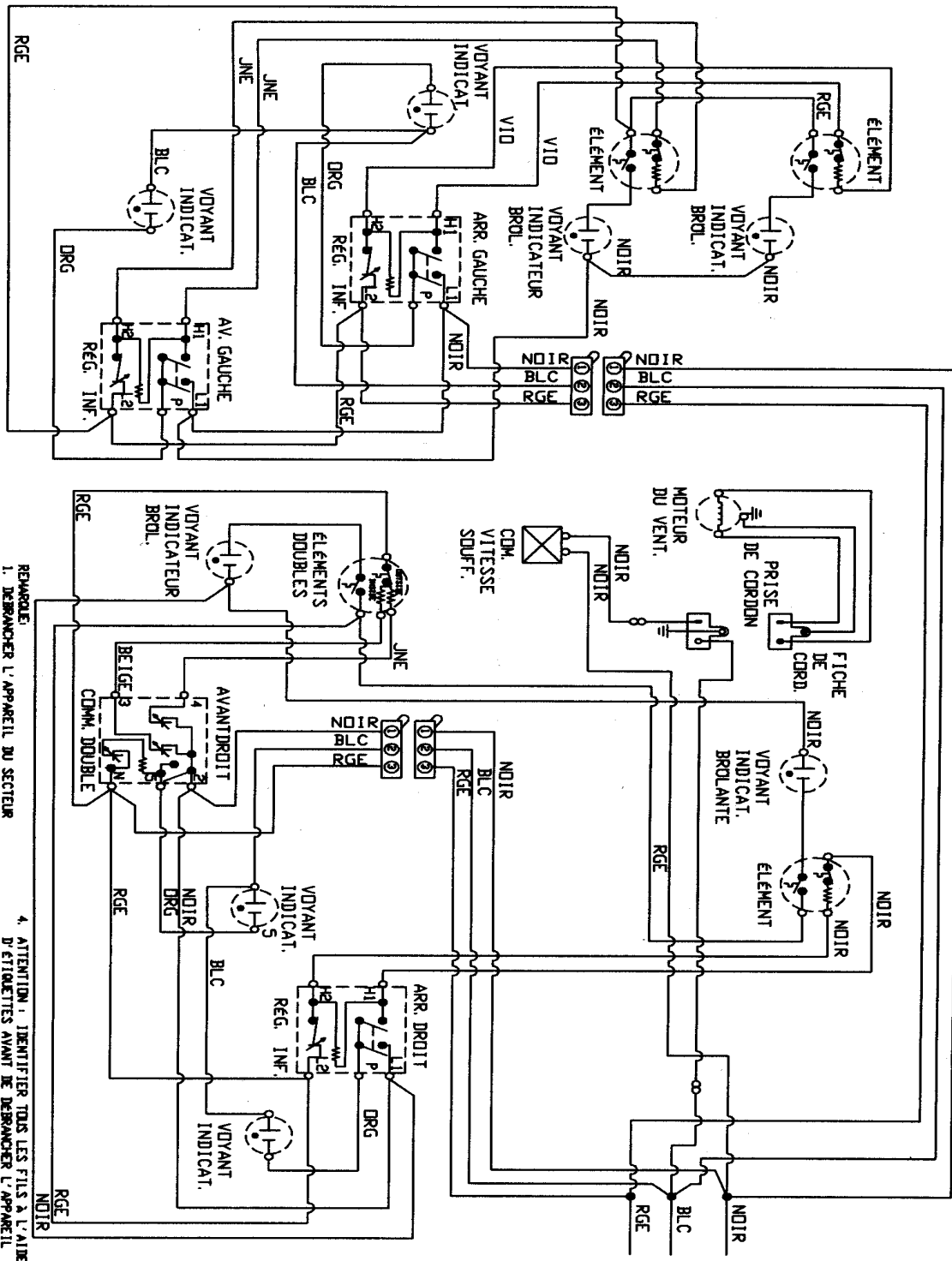
- NOTICE:
1. DISCONNECT RANGE FROM POWER BEFORE REMOVING WIRE COVER.
  2. REFER ONLY TO FEATURES EQUIPPED.
  3. SERVICER PLEASE RETURN DIAGRAM TO RANGE.
  4. CAUTION: LABEL ALL WIRES PRIOR TO DISCONNECTION WHEN SERVICING CONTROLS. WIRING PROBLEMS CAN CAUSE IMPROPER AND DANGEROUS OPERATION.
  5. VERIFY PROPER OPERATION AFTER SERVICING.



15003346

Section: WIRING INFORMATION (FRC)

Model: JED8430ADB



- REMARQUE:**
1. DÉBRANCHER L'APPAREIL DU SECTEUR AVANT D'ENLEVER LE CORDON-FILS.
  2. SE RÉFÉRER UNIFORMEMENT AUX FONCTIONS DONNÉES PAR LE MANUEL D'UTILISATION.
  3. TECHNICIEN DE SERVICE APRÈS-VENTE. VEUIL RETENIR LE DIAG. AVEC LA CUISINE.
  4. ATTENTION, IDENTIFIER TOUS LES FILS À L'AIDE D'ÉTIQUETTES AVANT DE DÉBRANCHER L'APPAREIL LORS DE LA RÉPARATION D'ORGANES DE COMMANDE. LES PROBLÈMES DE CÂBLAGE PEUVENT ENTRAVER DES RIQUES DANS LE FONCTIONNEMENT ET ÊTRE DANGEREUX. VÉRIFIER LE BON FONCTIONNEMENT DE L'APPAREIL UNE FOIS LA RÉPARATION EFFECTUÉE.

**Section: WIRING INFORMATION (FRC)**

No.	Part No.	Description	Series Qty
-	N 15003347	WIRING INFORMATION (FRC)	19 1

\*Color Code (-)=Not Shown #=Series, Serial Prefix or Run No., N=Not Available

