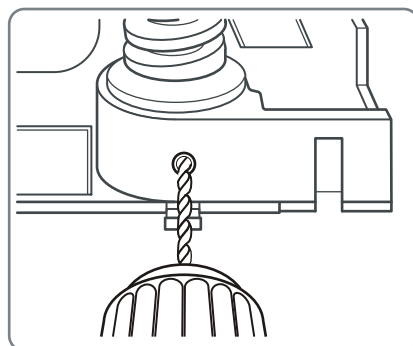
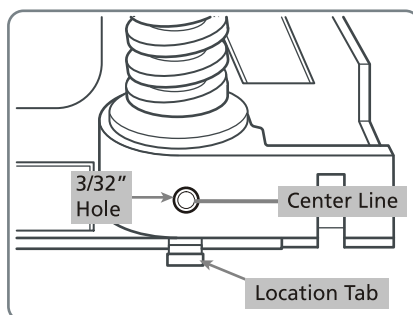


IMPORTANT: Please Read

24" Stacking Kit Fix Instruction Supplement

Step 1.

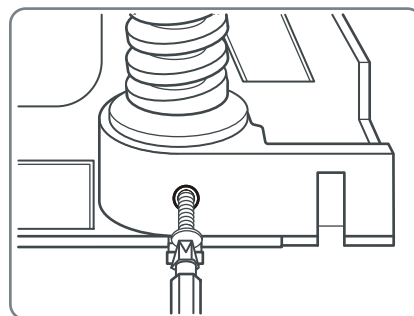
(It is preferred to drill a pilot hole, however a pilot hole is not required.)



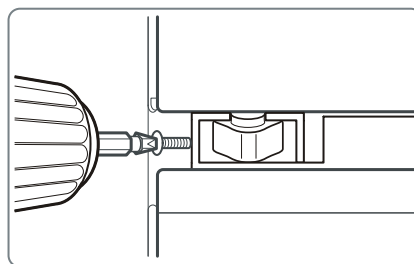
Install stacking kit to washer top per kit installation instructions. Install dryer onto stacking kit as shown. At each front slot, centered front to back (using location tab as a guide) drill one 3/32" diameter pilot hole at the center height of retention cup. Drill the pilot hole partially through the plastic dryer leg, depth is not important.

Step 2.

■ SIDE VIEW

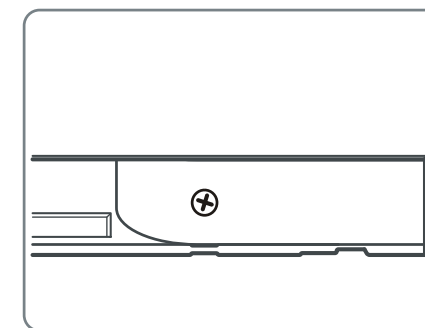


■ FRONT VIEW



Carefully drive the screw, included in this kit, into each pilot hole completely through the dryer leg and back of the retention cup.

Step 3.



Tighten screw completely and install plastic cover per kit instructions.

Attention: It is important these steps are completed as described above. Failure to do so may affect machine performance.