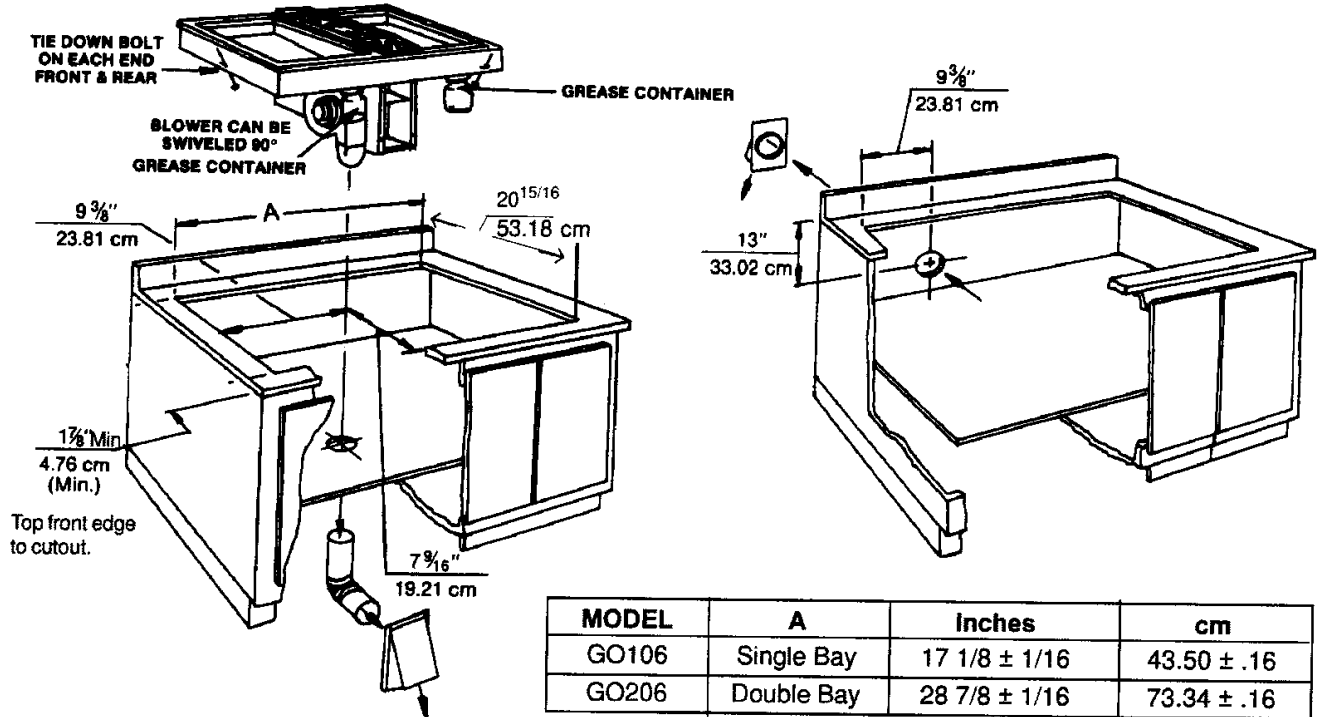


**INSTALLATION
INSTRUCTIONS
PART NO. 205180D**

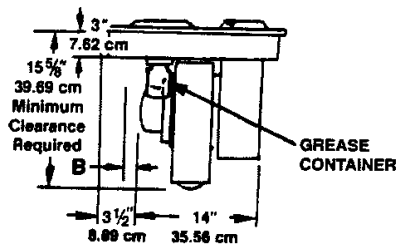
**Outdoor Grill
Model JED 7430**

JENN-AIR
403 WEST FOURTH STREET, NORTH • NEWTON IA 50208

Dimensions Shown in Both Inches and Centimeters

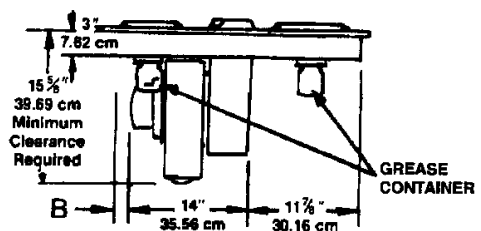


Model GO106 Series



SINGLE BAY

Model GO206 Series



DOUBLE BAY

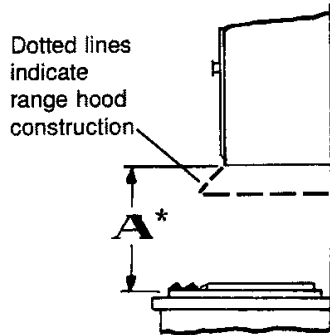
INSTRUCTIONS TO INSTALLER - Save for local electrical inspectors use.

- Dimension "B" - Provide 2" min (5.08 cm) cabinet clearance to motor for cooling purpose.
- **INSTALLER:** Where possible, 6" (15.24 cm) is recommended for motor/blower service.
- Side Clearance - Grills installed near a side wall must allow a minimum clearance of 6" for maximum performance (15.24 cm).
- Electrical Hook Up - The unit should be properly circuit protected and wired according to local electrical codes. See electrical wiring information on back. Unit power requirements are located on the data plate.
- Ducting Requirements - Use of wall cap is required. See accompanying Ducting Instructions for ducting details.
- Access must be provided to remove and empty grease container(s).

Installing Cabinetry Over Your Jenn-Air Grill

A* = 30" (76.2 cm) Minimum clearance between the top of the cooking platform and the bottom of an unprotected wood or metal cabinet.

A* = 24" (60.96 cm) minimum when bottom of wood or metal cabinet is protected by not less than 1/4" (0.635 cm) FLAME RETARDANT millboard covered with no less than no. 28 MSG sheet steel, 0.015" (0.038 cm) stainless steel, 0.024" (0.061 cm) aluminum or copper.



* To eliminate the risk of burns or fire by reaching over heated surface units, cabinet storage space located above the surface units should be avoided. If cabinet storage is to be provided, the risk can be reduced by installing a range hood that projects horizontally a minimum of 5 inches beyond the bottom of the cabinets.

Installer Installation Suggestions

1. Chamfer all exposed edges of decorative laminate to prevent damage from chipping.
2. Radius corners of cutout and file to insure smooth edges and prevent corner cracking.
3. Rough edges, inside corners which have not been rounded and forced fits can contribute to cracking of the counter top laminate.
4. Countertop must be supported within 3" of cutout.
5. Grill is U.L. listed for outdoor installation.

CAUTION

Warranty is void on JENN-AIR equipment installed other than as recommended by manufacturer. Recommended wall caps and transitions must be utilized for proper operation and installation.

Proper Electric Supply

You must provide an adequate electrical supply system as required for your cooktop. All wire connections must be in accordance with local codes and properly insulated. Check with local utility for governing electrical codes and ordinances. In the absence of local electrical codes, the National Electrical Code, NFPA No. 70, must be followed. A copy of the National Electrical Codes, NFPA No. 70, can be obtained by writing to:

NATIONAL FIRE PROTECTION ASSOC.

Batterymarch Park
Quincy, Massachusetts 02269

A three-wire, single phase, A.C. 120/240 volt or 120/208 volt, 60 cycle electrical system (properly circuit protected to meet Local Codes of NFPA No. 70)) must be provided. Unit must be properly grounded in accordance with local wiring code. The chart below recommends the minimum circuit protector and wire size if the appliance is the only unit on the circuit. If smaller sizes of wire are used, the unit efficiency will be reduced and a fire hazard may be created. It is advisable that the electrical wiring and hookup be accomplished by a competent electrician.

Supply Connection

All electrical connections are to be protected from the elements and be in accordance with local codes for outdoor wiring. This appliance is to be permanently wired.

Bring Supply leads into bottom opening of internal Wiring Box. Make ALL wire connections inside this box. Install Wiring Box Cover supplied with unit and insure that cover gasket is in place.

RECOMMENDED MINIMUM		
K.W. RATING ON SERIAL PLATE	CIRCUIT PROTECTION IN AMPRES	WIRE SIZE, AWG
0 - 4.1	20	12
4.2 - 6.9	30	10